

# CraftSmart®

## Fiber Protection Boxes (FPB)



### Application

The CraftSmart Fiber Protection Boxes (FPB) provide a place for below grade cable slack storage and access in greenbelt and light pedestrian traffic applications.

### Description

The CraftSmart Fiber Protection Boxes are part of a full line of above and below grade field enclosures. They provide full optimization of a fiber deployment when used alongside a Clearfield® FieldSmart® platform of inside plant panels, outside plant cabinets and wall boxes.

Boxes are designed to meet a broad range of fiber, coax and copper needs of the broadband, telecommunications and utilities industries. The FPBs provide a place for below grade cable slack storage and are a good fit for access in greenbelt areas, places that are undeveloped, wild or agricultural areas and similar locations where there is light pedestrian traffic, such as a sidewalk.

The CraftSmart Fiber Protection Box is available in five different sizes. Functioning as a stand-alone, the FPB provides below grade slack storage for fiber or other media. The body is formed with a High Density Polyethylene (HDPE) Thermoplastic and a solid Thermoplastic lid that ensures strength and stability of the product.



### Features and Benefits

#### Integrity

- High-quality HDPE designed body distributes load evenly across sidewalls
- Solid Thermoplastic lid ensures strength and stability

#### Protection

- Universal bolt security system
- All boxes incorporate a unique "T" style overlapping cover design to reduce soil mitigation into box

#### Access

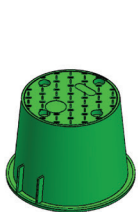
- Single piece solid thermoplastic cover provides ease of access into boxes
- All the plastic lids on these boxes are rated at light duty or greenbelt as listed with the SCTE77 specification: 5,000 lbs

#### Investment

- High strength rigid construction ensures long term reliability in the harshest environments
- Lighter and easier to handle than concrete, which increases the overall safety factor

### Accessories

- Grounding option
  - FST-GND-BAR-KIT: Kit, ground bar and mounting hardware for use in flowerpots and vaults. Includes ground bar, ground lug and mounting bolts.



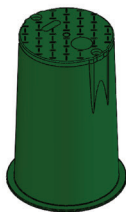
**FPB609**

Bolt on Cover  
Top Diameter: 7 3/8"  
Bottom Diameter: 10"  
Depth: 9"



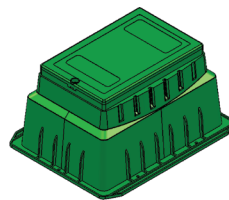
**FPB910**

Bolt on Cover  
Top Diameter: 9 7/8"  
Bottom Diameter: 12 1/2"  
Depth: 9"



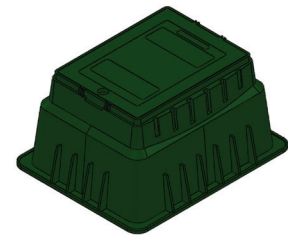
**FPB1019**

Bolt on Cover  
Top Inside Diameter: 10 1/8"  
Depth: 18"



**FPB1014**

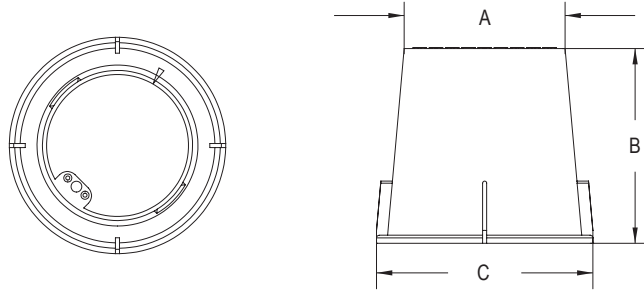
Bolt on Cover  
Top Inside Dimensions: 10" W x 14" L  
Bottom Outside Dimensions: 19" W x 23 1/2" L  
Depth: 12"



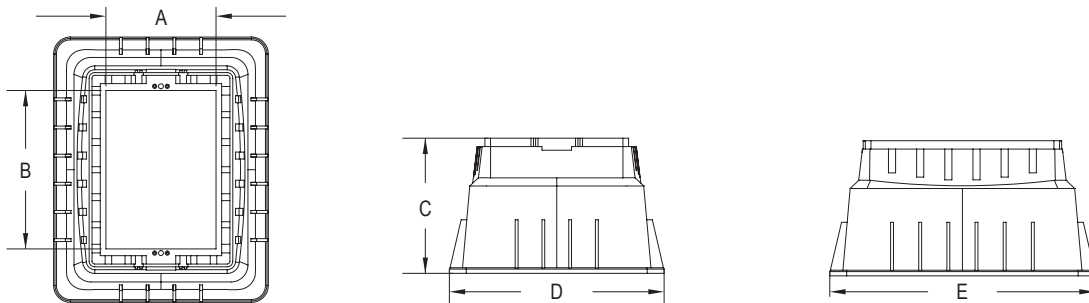
**FPB1220**

Bolt on Cover  
Top Inside Dimensions: 16" W x 20" L  
Bottom Outside Dimensions: 24" W x 30" L  
Depth: 15 3/4"

### Technical Specifications



Part Number	A	B	C	Application
FPB609	7 $\frac{3}{8}$ " (187.33 mm)	9" (228.60 mm)	10" (254.10 mm)	Slack cable storage
FPB910	9 $\frac{7}{8}$ " (250.83 mm)	9" (228.60 mm)	12 $\frac{1}{2}$ " (317.50 mm)	Slack cable storage
FPB1019	10 $\frac{1}{8}$ " (257.18 mm)	18" (457.20 mm)	12 $\frac{13}{16}$ " (325.44 mm)	Slack cable storage



Part Number	A	B	C	D	E	Application
FPB1014	10" (254.50 mm)	14" (355.60 mm)	12" (304.80 mm)	19" (482.60 mm)	23 $\frac{1}{2}$ " (596.90 mm)	YOURx-Terminal
FPB1220	12" (304.80 mm)	20" (508.00 mm)	15 $\frac{3}{4}$ " (400.05 mm)	24" (609.60 mm)	30" (762.00 mm)	YOURx-Terminal

### Pre-Configured Part Numbers

Part Number	Description
FPB609	7 $\frac{3}{8}$ " (187.33 mm) round top x 9" (228.60 mm) deep, green, bolt on cover
FPB910	9 $\frac{7}{8}$ " (250.83 mm) round top x 9" (228.60 mm) deep, green, bolt on cover
FPB1019	10" W x 18" L (254.00 mm x 457.00 mm) round top, green, bolt on cover
FPB1014	10" W x 14" L (254.00 mm x 355.60 mm) rectangular top x 12" (304.80 mm) deep, green, bolt on cover
FPB1220	12" W x 20" L (304.80 mm x 508.00 mm) rectangular top x 15 $\frac{3}{4}$ " (400.05 mm) deep, green, bolt on cover
FST-GND-BAR-KIT	Kit, ground bar and mounting hardware for use in flowerpots and vaults. Includes ground bar, ground lug and mounting bolts.