

SmartRoute Plate



Application

The SmartRoute Plate is designed to fast-track and simplify fiber installations when landing up to 12 fibers in any environment. Clearfield's SmartRoute Plate combines cable, spooling technology and MPO connectorization in a stand-alone wall plate design. This allows for maximum flexibility and efficient use of available space. The compact design can be pre-configured to terminate up to 12 fibers. This SmartRoute is an ideal solution for use in MDUs, SFUs, cell towers and business class services.

Description

The SmartRoute Plate contains one internal spool that can hold up to 200 feet (60.96 m) of 3 mm, 12-fiber plenum micro-cable or 12-fiber FieldShield® Cable. The plate can provide up to 12 connections on the front of the spool with an MPO or pigtail breakouts on the back side of the spool.

Features and Benefits

Integrity

- Terminations are designed, tested and certified to Telcordia GR-326
- Clearfield FiberDeep® Guarantee: 0.2 dB insertion loss or less, exceeding industry standards
- Supports all industry standard singlemode and multimode connectors
- 100% performance tested for insertion loss, return loss and final mechanical inspect

Protection

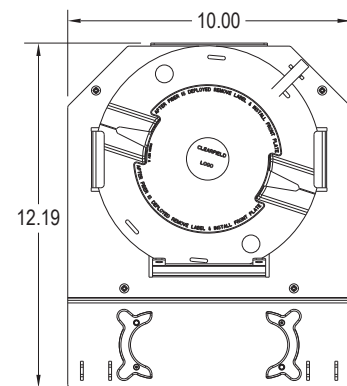
- Craft-friendly SmartRoute spool technology allows the installer to pullout the exact amount of cable required, and leaving the remaining slack safely stored on the spool

Access

- Wall mount
- Slack storage for drop cables

Investment

- Pre-connectorized options eliminate labor and speed network construction
- Scalable to 12 ports of fiber



Technical Specifications

SmartRoute Plate	
Dimensions	Plate: 12.1" H x 10" W x 2.8" D (304.80 mm x 254.00 mm x 71.12 mm)
Port Density	6 and 12 ports = SC, 6 ports = LC Duplex
Connector Types	SC/UPC, SC/APC, MPO, LC/UPC, LC/APC
Cable Types	Indoor Plenum Rated IFC/FieldShield®
Maximum Internal Spool Cable Length	200 feet (60.96 m)
Mounting Options	Wall Mount

Configured Part Numbers

S R - - - - - - - - -

1 2 3 4 5 6 7 8 9

1 Select Plate
P = Plate Only

2 Select Front Connector Type
A = SC/UPC
C = SC/APC
F = LC/UPC
H = LC/APC

3 Select Cable Type
1 = SM stranded non-ribbon, plenum rated
3 = MM stranded non-ribbon, plenum rated

4 Select Cable Construction
Y = IFC Plenum
W = FieldShield

5 Select Number of Fibers
1 = 12 Fibers
3 = 6 Fibers

6 Select Rear Connector Type
A = SC/UPC
C = SC/APC
F = LC/UPC
H = LC/APC
N = MPO Male Pushable
P = MPO Female Pushable
Z = None

7 Select Rear Breakout
B = 1 meter
C = ½ meter
Z = None

8 Select Rear Upjacketing
A = 900 µm
B = 2mm
Z = None

9 Select Length
1 = 25 feet (7.62 m) 5 = 125 feet (38.10 m)
2 = 50 feet (15.24 m) 6 = 150 feet (45.72 m)
3 = 75 feet (22.86 m) 7 = 175 feet (53.34 m)
4 = 100 feet (30.48 m) 8 = 200 feet (60.96 m)