

Application

Carriers are faced with many challenges when cabling MDUs in both existing (brownfield) and new construction (greenfield). One such challenge is how to manage incoming duct, while supporting varying number of subscribers in different configurations with slack management while also reducing installation time. Clearfield's YOURx Flex Box addresses these challenges with a flexible and scalable solution all within a single wall box.

Description

The YOURx Flex Box is a secure, modular wall box with slide-in aggregator plate that supports multiple cable entries like, individual fiber cables, conduit and microduct in an organized manner. Installers simply push the microduct into the aggregator plate and they are ready to pull fiber. Slack storage is provided for both incoming and outgoing fiber in separate areas to reduce service interruptions when turning up additional subscribers. The drop wheel feature accommodates up to 16 individual drop wheel assemblies with each drop wheel supporting up to a 200' (60.96 m) of FieldShield[®] StrongFiber storage. The SmartRoute Plate can also be mounted in the Flex Box, providing spool technology and MPO connectorization. Using the Clearview[®] Cassette, Drop Wheel assembly or SmartRoute Plate allows for a plug-and-play concept which reduces installation time.

Features and Benefits

Integrity

- Utilizes the Clearview Blue Cassette, Clearview xPAK and FieldShield Drop Wheel
- 1" inside mounting hole pattern for multiple applications
- Dual snap ensures lid secures to box

Protection

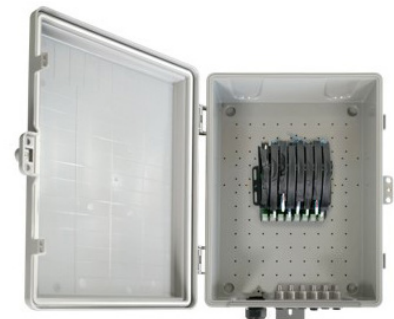
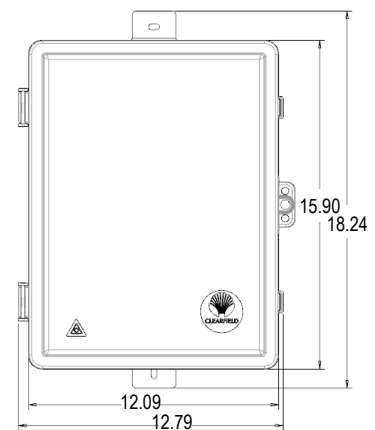
- NEMA 4 Rated
- Secured with 216 can wrench bolt
- Security screw with ability to secure with padlock
- Gasket seal
- Grounding lug included

Access

- Easy to install with both internal and external mounting holes
- Top and bottom entry/exit points

Investment

- Scalable
- Slide-in aggregator plates eliminate the need for additional duct organizer
- Clearview Cassette, Clearview xPAK, Drop Wheel or SmartRoute Plate



Technical Specifications

YOURx Flex Box	
Dimensions	18.24(H) with tab x 12.00(W) x 5.84(D) Without Tabs: 15.66(H)
Material	UV rated, flame retardant, V0 rated
Port Density	Four cassettes (48 ports), up to 16 in drop wheel, SmartRoute Plate 24 port
Connectivity Types	Clearview [®] Blue, Drop Wheel, SmartRoute Plate
Aggregator Plate	Duct Plate supports (24) 10/6 mm and (2) 14/10 mm microduct. Combo Plate supports (24) 10/6 mm microduct. PON Plate supports (32) 10/6 mm microduct.
Drop Wheel	Fiber type - FieldShield [®] StrongFiber
Drop Wheel Connector	Pullable SC/APC and SC/UPC to standard SC/APC and SC/UPC
Drop Wheel Cable Length	200 feet (60.96 m) FieldShield StrongFiber
Drop Wheel Material	Black Thermoplastic

Modules



Patch and Splice Cassette

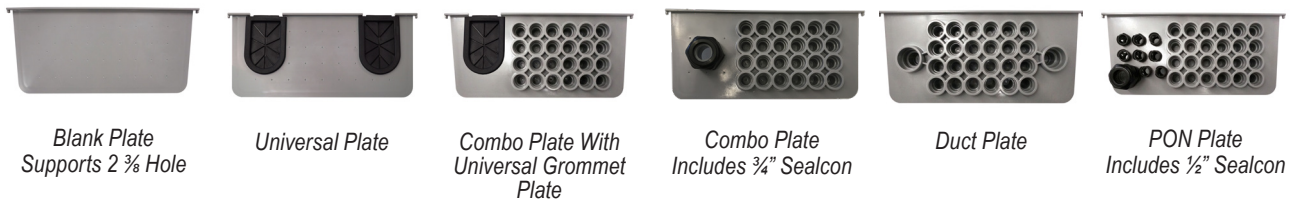
MPO Cassette

Empty Cradle Assembly
No Drop Wheels - MPO

Empty Cradle Assembly
No Drop Wheels - Splitter

Cradle Assembly with Drop
Wheels Installed

Plates



Blank Plate
Supports 2 3/8 Hole

Universal Plate

Combo Plate With
Universal Grommet
Plate

Combo Plate
Includes 3/4 Sealcon

Duct Plate

PON Plate
Includes 1/2 Sealcon

Configured Part Numbers

W Q - - - - - Z Z
 1 2 3 4 5 6 7

1 Select Module Type

- B = Cassette — Customer Splice
- C = Empty Cradle Assembly Input Male MPO
- E = Empty Cradle Assembly with Splitter, Input SC/APC
- M = Loaded Cradle Assembly Input Male MPO
- N = Cassette — Input Male MPO
- S = Loaded Cradle Assembly With Splitter, Input SC/APC

2 Select Output Port Count

- If Cassette:**
- 012 = 12 ports
 - 024 = 24 ports
 - 036 = 36 ports
 - 048 = 48 ports
- If Drop Wheel:**
- 004 = 4 ports
 - 008 = 8 ports
 - 012 = 12 ports
 - 016 = 16 ports

3 Select Output Connector Type

- If Cassette:**
- A = SC/UPC
 - C = SC/APC
 - F = LC/UPC
 - H = LC/APC
- If Drop Wheel:**
- A = SC/UPC
 - C = SC/APC

4 Select Fiber Mode: Type Inside Module

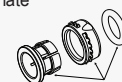
- 1 = Cassette or Cradle SM Loose Tube
- 2 = Cassette SM Ribbon

5 Select Jacket Construction

- F = Cassette — Loose Tube
- S = Drop Wheel — 900 μm StrongFiber
- Z = Cassette — Ribbon

6 Select Aggregator Plate

- B = Blank Plate
- C = Combo Plate 10/6mm Microduct
- D = Duct Plate 10/6mm Microduct
- E = Combo — No FlexPorts
- G = Duct — No FlexPorts
- H = Universal Blank
- J = Combo Plate with Universal Grommet
- K = Combo Plate 8.5/6mm Microduct
- M = Duct Plate 8.5/6mm Microduct
- P = PON Plate



* 10/6 mm or 8.5/6mm FlexParts will match the port count selected in #2.

7 Select Drop Wheel Length

- 200F = StrongFiber on Drop Wheel
- Leave Blank = If using Cassette or Drop Wheel Cradle



Individual Drop Wheel

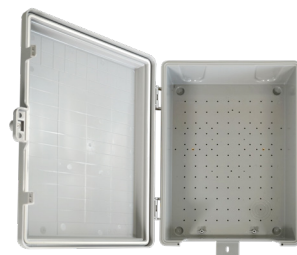
Part Number	Description
DW-001-SCU-SCU 200F	Drop wheel, loaded with loaded with 200 feet (60.96 m) FieldShield StrongFiber, terminated with pullable SC/UPC to SC/UPC connectors
DW-001-SCA-SCA 200F	Drop wheel, loaded with loaded with 200 feet (60.96 m) FieldShield StrongFiber, terminated with pullable SC/APC to SC/APC connectors

Pre-Configured Empty Box Part Numbers

Part Number	Description
FDP-xWBF-BPLATE	Empty Flex Box with blank plate and cable management kit.
FDP-xWBF-CPLATE	Empty Flex Box with combo plate and cable management kit. No FlexPort fittings.
FDP-xWBF-CPLATE-24	Empty Flex Box with combo plate and cable management kit. Loaded with 24 10/6mm FlexPort fittings.
FDP-xWBF-CPLATE-24-85	Empty Flex Box with combo plate and cable management kit. Loaded with 24 8.5/6mm FlexPort fittings.
FDP-xWBF-DPLATE	Empty Flex Box with duct plate and cable management kit. No FlexPort fittings.
FDP-xWBF-DPLATE-24	Empty Flex Box with duct plate and cable management kit. Loaded with 24 10/6mm FlexPort fittings.
FDP-xWBF-DPLATE-24-85	Empty Flex Box with duct plate and cable management kit. Loaded with 24 8.5/6mm FlexPort fittings.
FDP-xWBF-PPLATE-32	Empty Flex Box with PON plate and cable management kit. Loaded with 32 10/6mm FlexPort fittings.
FDP-xWBF-UPLATE	Empty Flex Box with universal plate and cable management kit.
FDP-xWBF-UCPLATE	Empty Flex Box with universal grommet combo plate and cable management kit.

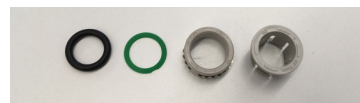
Pre-Configured Splice Box (Indoor Only)

Part Number	Description
FDP-XWBF-UPLATE-SPLICE-01	YOURx FieldSmart Flex Box, 48 Max. Cap., Universal Plate, Hardware Kit and Ship Along 48 Position Splice Tray





FlexPort Fitting for Duct Plate
and Combo Plate 10 mm Qty: 1
P/N 016280



FlexPort Fitting 14mm for Duct Plate
Qty: 1
P/N 018107



FlexPort Fitting for Blank Plate, 10
mm Qty: 1 (Requires Drilled 1/2 Hole)
P/N 018835



Hole Plug - 14mm

Accessories

Part Number	Description
016280-06	FlexPort Fitting for Combo and Duct Plate, 10 mm, Quantity - 6
016280-12	FlexPort Fitting for Combo and Duct Plate, 10 mm, Quantity - 12
018835	FlexPort Fitting for Blank Plate (Requires Drilled 1/2 Hole), 10 mm, Quantity - 1
018107-RW	FlexPort Fitting for Duct Plate, 14 mm, Quantity - 1
018432	Plug, FlexPort, 10 mm
018665	Plug, FlexPort, 14 mm

SmartRoute Plate - Fits Inside Flex Box

How to Order:

1. Order Empty Box
2. Order Configured SmartRoute Plate



SmartRoute Plate

Configured Part Numbers with Pigtail Assembly

S R P -

1 2 3 4 5 6 7 8

1 Select Front Connector Type

A = SC/UPC
C = SC/APC
F = LC/UPC
H = LC/APC

2 Select Cable Type

1 = SM stranded non-ribbon, plenum rated
3 = MM stranded non-ribbon, plenum rated

3 Select Cable Construction

Y = IFC Plenum
W = FieldShield

4 Select Number of Fibers

1 = 12 Fibers
3 = 6 Fibers

5 Select Rear Connector Type

A = SC/UPC
C = SC/APC
F = LC/UPC
H = LC/APC
N = MPO Male Pushable
P = MPO Female Pushable
Z = None

6 Select Rear Breakout

B = 1 meter
C = 1/2 meter
Z = None

7 Select Rear Upjacketing

A = 900 μm
B = 2mm
Z = None

8 Select Length

1 = 25 feet (7.62 mm)
2 = 50 feet (15.24 mm)
3 = 75 feet (22.86 mm)
4 = 100 feet (30.48 mm)
5 = 125 feet (38.10 mm)
6 = 150 feet (45.72 mm)
7 = 175 feet (53.34 mm)
8 = 200 feet (60.94 mm)

Configured Part Numbers with Pigtail Assembly

W Q B - - - - Z Z XXXXF or XXXXM

1
2
3
4
5

1 Select Output Port Count

- 012 = 12 ports
- 024 = 24 ports
- 036 = 36 ports
- 048 = 48 ports

2 Select Output Connector Type

- A = SC/UPC
- C = SC/APC
- F = LC/UPC
- H = LC/APC

3 Select Fiber Jacket Construction

- 1 = Singlemode, Loose Tube
- 2 = Singlemode, Ribbon

4 Select Cable Type

- A = IFC Riser
- B = OSP Riser Rated
- C = IFC Plenum
- E = OSP (Non-rated)
- M = OSP (Armored, Non-rated)
- T = FLATdrop (Non-toneable)
- W = FieldShield

5 Select Aggregator Plate

- B = Blank Plate
- C = Combo Plate — with Flexports
- E = Combo Plate — NO Flexports

XXXXF = Length in Feet XXXXM = Length in Meters

Example: 200 Ft. Cable = 0200F

* 10/6mm Flexports will match the port count selected in #1