

FieldSmart® Fiber Delivery Point (FDP)

96 Port PON in Pedestal Insert Kit/Vault Mount



Application

The FieldSmart Fiber Delivery Point (FDP) 96 Port PON Pedestal Insert Kit/Vault Mount provides splice or interconnect functionality, in industry standard Channell or Pencil pedestals and vaults, for drops to the home in the last mile of the access network. Additionally, it provides for a maximum capacity of 96-homes served, and is configured for PON environments.

Description

The FieldSmart FDP 96 Port PON Pedestal Insert Kit/Vault Mount provides for a drop cable scenarios in the access network with splicing and/or interconnect connectivity with a Clearview® optimized design. Accepting up to nine Clearview Cassettes and three WaveSmart® Ruggedized Splitters or WDMs used throughout the Clearfield® FieldSmart product line, the insert will scale up to 96-homes served for PON applications.

Features and Benefits

Integrity

- RUS listed
- Terminations are designed, tested and certified to GR-326
- Clearfield® FiberDeep® Guarantee: 0.2 dB insertion loss or less, exceeding industry standards
- Inserted into RUS pedestals
- Pedestal designed to comply with GR-13

Protection

- Clearview Cassette for physical fiber protection, bend-radius protection, access
- Buffer tube slack storage fully bend-radius protected
- Flood-proof non-metallic pedestals
- Can wrench accessible designs

Access

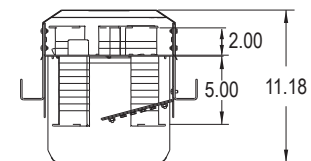
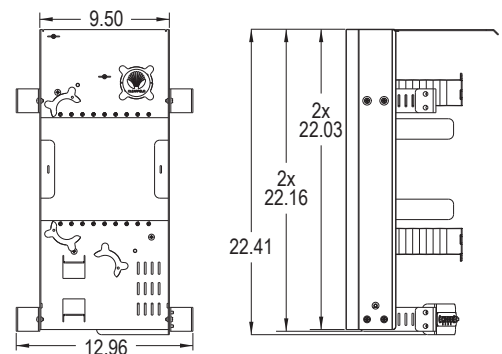
- Lift off flood-proof dome covers are non-metallic
- Clearview Cassette for quick access to terminations
- Cupboard style front and rear access-Metallic
- Split lid Pencil vault

Investment

- Low cost entry with RUS listed pedestals
- Scalable with Clearview Multiplied design for cost alignment to subscriber revenue
- Future proof with drop only to PON distributed migration
- Patch only or patch and splice configurations supported
- Flexible integration into a variety of RUS listed pedestals with simple bracket kits

Accessories

- Ruggedized Splitter



Vault and Pedestal

V6A-ZZZ-03-P - 24 x 36 x 24" (609.60 mm x 914.40 mm x 609.60 mm) with 12" (304.80 mm) cut out for Pencil 12" (304.80 mm) pedestal (includes pedestal)

VXZ-ZZZ-02-P - Vault Only

FPP-121230-LG - Pedestal for vault

FieldSmart® Fiber Delivery Point (FDP)

96 Port PON in Pedestal Insert Kit/Vault Mount



Technical Specifications

FieldSmart Fiber Delivery Point 96 Port PON in Pedestal Insert Kit/Vault Mount	
Dimensions (for insert only)	22.41" H x 12.96" W x 11.18" D (569.21 mm x 329.18 mm x 283.97 mm)
Port Density	96
Feeder/Express Ports	12
Cassette Types Support	Clearview® Blue - Right Exit
Connector Types	SC/UPC, SC/APC, LC/UPC, LC/APC
Cable Types	Indoor/Outdoor, Outdoor (Riser/Non-Rated), Outdoor Armored (Riser/Non-Rated)
Splice Capacity	12 splices in each Clearview Cassette
Splitter Slots	3
Material	14 gauge cold rolled steel with almond powder coating

Configured Part Numbers

Disclaimer/Note: Paper configurator shown is for reference only and should not be used to configure a saleable product configuration. All options shown on paper configurators may not be available or compatible with other options listed. Please contact your Clearfield representative for assistance in product configurations.

J _____ - _____ - _____ - Z Z Z - B XXXM or XXXF

1

2

3

4

5

6

1 96 Port Insert

8 = PON, Patch and splice insert with non-metallic direct bury Pencil Pedestal, vault included

9 = PON, Patch only insert with non-metallic direct bury Pencil Pedestal, vault included

3 Select Distribution Port Count

X X X = port count in increments of 12

Z Z Z = N/A

5 Select Mode / Type

1 = Singlemode - non-ribbon

2 = Singlemode - ribbon

2 Select Feeder Port Count

A = No feeders

B = 12 ports (1 cassette)

Z = N/A

4 Select Connector Style

A = SC/UPC F = LC/UPC

C = SC/APC H = LC/APC

Z = N/A

6 Select Cable Construction

B = OSP Riser

E = OSP Non-Rated

F = Patch and splice

M = Armored OSP Non-Rated

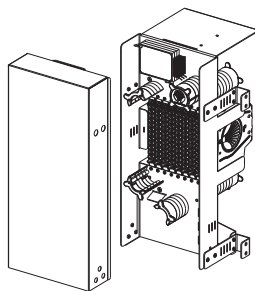
Z = N/A

XXXM or XXXF

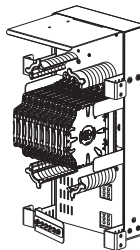
XXXM = Length of pigtails in meters

XXXF = Length of pigtails in feet

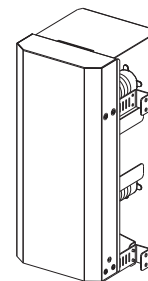
*200 feet maximum



Cover for Emerson and Proform Pedestals



Back of PON PED Insert



Cover for Pencil Pedestals