

# FieldSmart<sup>®</sup> Fiber Crossover Distribution System (FxDS) Frame Kit



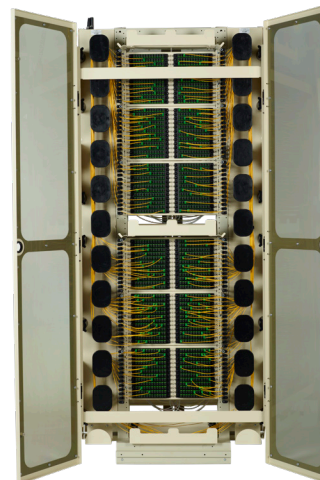
## Application

The FxDS Frame Kit is a fully contained fiber management system for the inside plant. The seven foot seismic frame is provided along with full length front and rear doors that provide protection for termination fields, incoming distribution cables and interbay routed jumpers. When used in conjunction with the FxDS panels, ultimate density and protection is offered at “grow-as-you-go” cost.

## Description

The FieldSmart Fiber Crossover Distribution System (FxDS) provides a system of modular and scalable building blocks to configure a frame system that delivers industry-leading scalability and fiber protection without jeopardizing density or increasing cost.

The FxDS system easily configures for panel placement and scales simply from 12 ports to a full rack of 1,728 ports as needed. The FieldSmart FxDS requires only four unique building blocks (SKUs) to configure initial deployment. The user then adds into the frame whatever is needed as subscriber take rates dictate. The FxDS Frame Kit is an industry standard 7' x 19" (2133.60 mm x 482.60 mm) seismic frame that is easily assembled with a set of vertical interbay slack management panels, two upper and lower crossover troughs and a set of removable doors.



### With SmartRoute Trough

SmartRoute Troughing builds upon the cable management functionality with a sleek method of providing a continuous channel for bay-to-bay routing in a safe and efficient manner without increasing jumper lengths. SmartRoute Troughing allows the service provider to carry the distance and weight of thousands of jumpers on a horizontal plane. This spreads the pile up and eliminates the risk of micro and macro bends. When used across multiple frames, up to three continuous channels are created allowing bay-to-any-bay routing in a safe and efficient manner.

### With PON Kit

Front route troughs are available when the frame is deployed with a PON Kit or for environments where interbay routes are not anticipated.

## Features and Benefits

### Integrity

- Designed to comply to Telcordia GR-449
- Zone 4 Seismic Rated
- Scales easily from 12 ports to 1,728 ports on a full frame
- Easily configured for initial placement

### Protection

- Complete bend-radius protection of all fiber cable throughout the routing schemes
- Diverse route-paths minimize cable pile-up and ensure long term reliability of the circuits

### Access

- Front and rear access
- Interbay for each frame is not shared with adjacent frames. Minimizes cable crossover and tie-ins, allowing for easy identification
- Removable full length doors allow for superior access to routed jumpers and incoming distribution cables

### Investment

- One frame size (7' x 19"; 2133.60 mm x 482.60 mm) accommodates up to 1,728 ports or 1,152 ports in a PON environment, with full horizontal and vertical slack management support
- Compatible with Clearview<sup>®</sup> optical component packaging that integrates into crossover bulkheads, eliminating the need to dedicate a separate chassis
- Fully loaded or “grow-as-you-go” integrations allow the user choices to provide for cost containment as subscriber take-rates dictate
- Frame components are used throughout the network from inside plant to outside plant to access networks
- Custom configured with common building blocks, it supports any and all applications

# FieldSmart<sup>®</sup> Fiber Crossover Distribution System (FxDS) Frame Kit



## Technical Specifications

FieldSmart FxDS Frame Kit	
Dimensions	7' H x 36" W x 18" D (2133.60 mm x 914.40 mm x 457.20 mm)
Ratings	Compliant to Telcordia GR-449
Port Density	1,728 SC or 3,456 LC
Cassette Types Supported	Clearview <sup>®</sup> Blue
Connector Types	SC/UPC, SC/APC, LC/UPC, LC/APC, MPO (additional options available upon request)
Cable Types	Indoor Riser, Indoor Plenum, Indoor/Outdoor, Outdoor (Riser/Non-Rated), Outdoor Armored (Riser/Non-Rated), FieldShield <sup>®</sup>
Splice Capacity	12 splices in each Clearview Cassette
Storage Capacity	One meter of 900 μm fiber
Cable Entry Compatibility	Top and bottom (floor) entry
Cable Entry Clamp Location	On-frame cable clamps <i>Note: On-frame cable clamps included with FxDS Patch Panels</i>
Recommended Jumper Length	Three meters, plus two meters (10' + 6.6') for each additional frame
Material	Steel with almond powder coating

## Pre-Configured Part Numbers

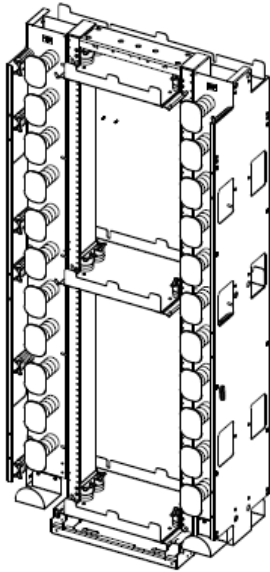
Part Number	Description
010802	FxDS Frame kit (Includes 7' x 19" (2133.60 mm x 482.60 mm) frame, two doors - dual, two interbays, three traditional troughs, iso pad, floor mount kit)
010802-SR	FxDS SmartRoute Frame Kit (includes 7' x 19" (2133.60 mm x 482.60 mm) frame, two door sets - dual, two interbays, three SmartRoute troughs, iso pad and floor mount kit)
010802-PON INSERT ONLY	FxDS Frame kit (Includes 7' x 19" (2133.60 mm x 482.60 mm) frame, two doors - dual, two interbays with no spools, three traditional troughs, iso pad, floor mount kit. <i>Note: Must order 010263 insert</i> )
010802-PON INSERT ONLY-SR	FxDS Frame kit (Includes 7' x 19" (2133.60 mm x 482.60 mm) frame, two doors - dual, two interbays with no spools, three SmartRoute troughs, iso pad, floor mount kit). <i>Note: Must order 010263 insert</i>
010263	FxDS 576 Port PON Insert (Select one of the following adapter plate tie kits for feeder ports. You will need to order a total of four of these per PON insert.)
FMA-XXX-57	Tie kit, adapter plate, 12 SC/UPC singlemode, trimmed to cassette height
FMA-XXX-64	Tie kit, adapter plate, 12 SC/APC singlemode, trimmed to cassette height
FMA-XXX-81	Tie kit, adapter plate, 12 LC/UPC singlemode, trimmed to cassette height
011236	Frame mounting kit for use with raised floors
009106	Floor mount hardware kit

# FieldSmart® Fiber Crossover Distribution System (FxDS)

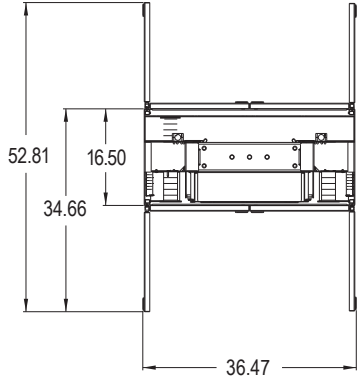
## Frame Kit



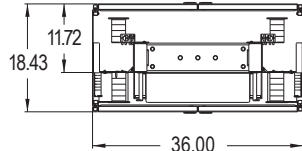
### Frame Kit



P/N 010802

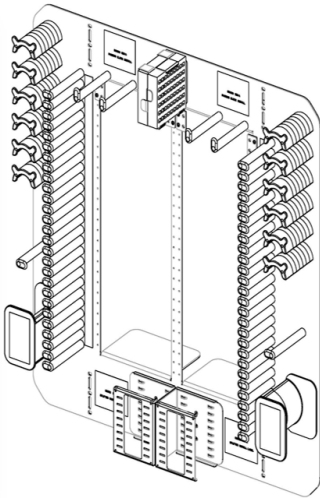


FxDS Frame Kit - Top View Doors Open

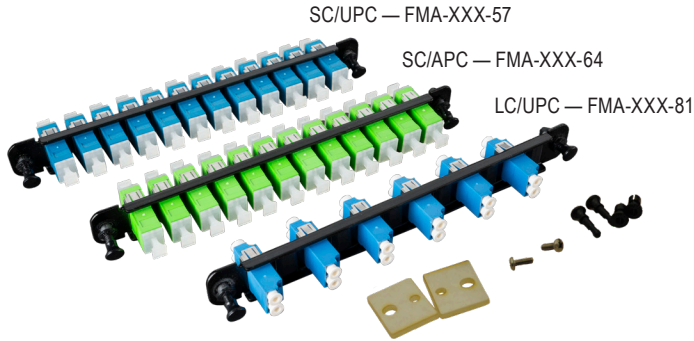


FxDS Frame Kit - Top View Doors Closed

### PON Insert



P/N 010263



Tie Adapter Plate Kit