

FieldSmart Fiber Delivery Point (FDP)

96-Port PON Pedestal Insert Kit



Application

The FieldSmart Fiber Delivery Point (FDP) 96-Port PON Pedestal Insert Kit provides splice or interconnect functionality, in industry standard pedestals for drops to the home in the last mile of the access network. Additionally, it provides for a maximum capacity of 96-homes served configurations in PON environments.

Description

The FieldSmart FDP 96-Port PON Pedestal Insert Kit provides for drop cable scenarios in the access network with splicing and/or interconnect connectivity with a Clearview Multiplied design. Compatible with a variety of RUS listed pedestals, the insert provides for mid-span or ring-cut functionality with slack-storage for up to a 288 OSP fiber sheath. Accepting up to nine Clearview Cassettes and three 1 x 32 splitters used throughout the Clearfield FieldSmart product line, the insert will scale up to 96-homes served for PON applications. Providing for the ultimate in future-proof flexibility, the FDP Pedestal Insert can be deployed today as a drop only pedestal and easily converted to a distributed PON solution when placing a larger PON cabinet is not desired or cost effective.

Features & Benefits

Integrity

- RUS listed
- Inserted into RUS pedestals (RUS PE-91)
- GR-20
- GR-326 compliant terminations

Protection

- RUS listed industry standard pedestals
- Clearview Cassette for physical fiber protection, bend radius protection, access
- Buffer tube slack storage fully bend radius protected
- Flood-proof--Non-metallic pedestals
- Can wrench accessible designs

Access

- Lift off flood proof dome covers--Non-metallic
- Clearview Cassette for quick access to terminations
- Cupboard style front and rear access--Metallic

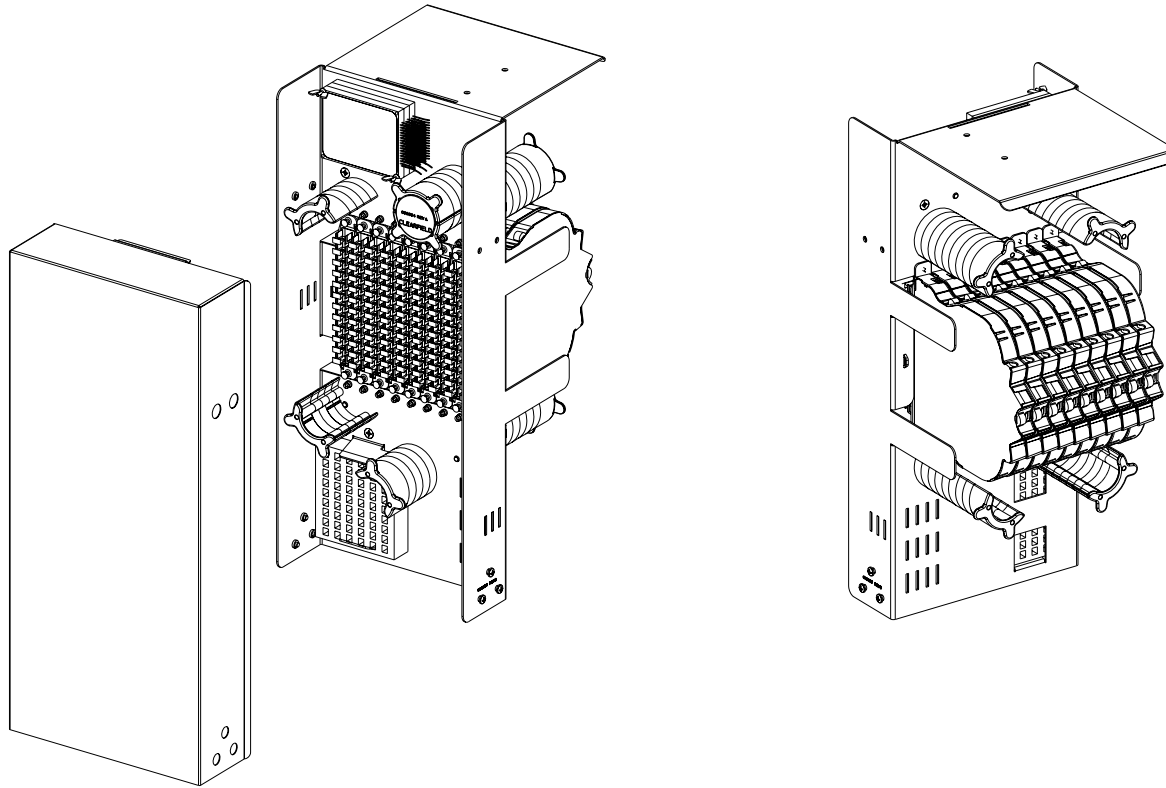
Investment

- Low cost entry with RUS listed pedestals
- Scalable with Clearview Multiplied design for cost alignment to subscriber revenue
- Future proof with drop only to PON distributed migration
- Patch only or patch & splice configurations supported
- Flexible integration into a variety of RUS listed pedestals with simple bracket kits

FDP 96-Port PON Pedestal Insert Kit

FieldSmart Fiber Delivery Point (FDP)

96-Port PON Pedestal Insert Kit



Accessories

- Ruggedized Splitter

Configured Part Numbers

J - - - - - - Z Z Z

1 **2** **3** **4** **5** **6**

- | | | | |
|--|--|--|---|
| <p>1 Select pedestal type</p> <p>6 = PON, Patch & splice, 96 port insert w/ Channell ped
 7 = PON, Patch & splice, 96 port insert w/ ProForm ped
 A = PON, Patch & splice, 96 port insert w/ BD7 ped
 B = PON, Patch & splice, 96 port insert only (Channell ped)
 C = PON, Patch & splice, 96 port insert only (Proform ped)
 D = PON, Patch & splice, 96 port insert only (BD7 ped)</p> | <p>2 Select feeder port count</p> <p>A = No feeders
 B = 12 ports (1 cassette)
 Z = N/A</p> <p>3 Select distribution port count</p> <p>X X X = port count in increments of 12
 Z Z Z = N/A</p> | <p>4 Select connector style</p> <p>A = SC UPC F = LC UPC
 C = SC APC H = LC APC
 Z = N/A</p> <p>5 Select Mode / Type</p> <p>1 = Singlemode - Non-Ribbon
 2 = Singlemode - Ribbon</p> | <p>6 Select cable construction</p> <p>F = 900um Tight Buffer (P & S only)
 Z = N/A</p> |
|--|--|--|---|