

FieldSmart Fiber Crossover Distribution System (FxDS)

FxDS 24, 72, 96, 144, or 288-Port Fiber Panels



Application

Provides an interconnect or cross-connect environment for up to 288-ports of high-density fiber in central office and outside plant environments.

Description

The FieldSmart FxDS Panel is a high density, low maintenance fiber distribution panel for use in a 23" or 19" frame. Utilizing the Clearview Cassette, FieldSmart FxDS Panels are intelligently designed to provide the user with superior fiber access while using craft friendly radius protected fiber management for routing and deploying fiber jumpers in high density applications. Optional metal housings allow the panels to be deployed on an industry standard frame, or for lowest cost and optimal protection, they can be ordered without the housing.

Features & Benefits

Integrity

- RUS listed
- Compliant to Telcordia GR-449, GR-20 and GR-409
- Optical component configurations use GR 1221/1209 compliant devices
- Telcordia 326 compliant terminations
- Supports all industry standard SM/MM connectors

Protection

- Removable front cover
- Individual radius fingers provide organized and intuitively managed fiber jumpers and minimize pile-up
- Clearview Cassette houses critical circuits by 12-fiber sub-units or buffer tubes
- Ruggedized cable clamp protects against twisting and pistoning at the assembly breakout point
- Pre-terminated OSP buffer tubes protected with bend-limited tubing and slack stored inside panel for protection against environmental and human damage

Access

- Front access to pre-terminated assemblies with removable adapter plates for testing, cleaning and maintenance
- Entire 12-fiber Clearview Cassette removable for hot-swap changes
- Front and rear access to panel
- On- or off-frame splicing configurations support cable constructions up to 144-fiber

Investment

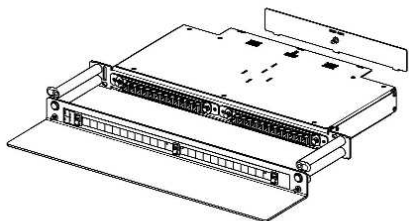
- Using the Clearview Cassette, all fibers deployed in increments of 12, allowing users to scale from 12 ports to full configuration without additional equipment

FxDS Panels: 24, 72, 96, 144 or 288-Port Fiber Panels

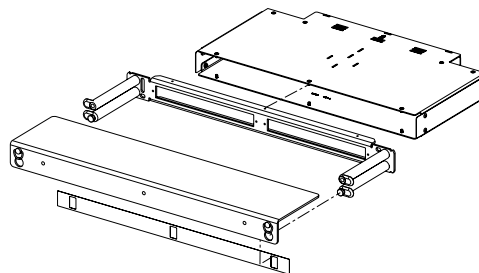
FieldSmart Fiber Crossover Distribution System (FxDS)



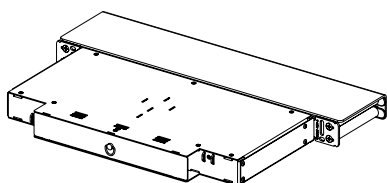
FxDS 24-Port Panel



24-port - Front View

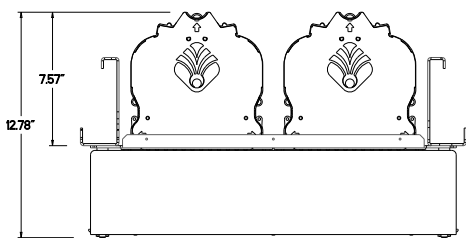


24-port - Front View

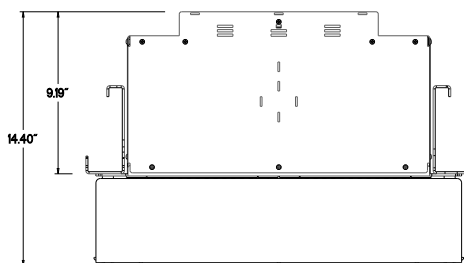


24-port - Rear View - Patch & Splice

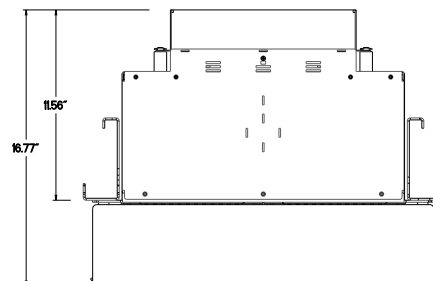
Top View



24-Port Crossover Bulkhead Only



24-Port Crossover Bulkhead with Rear Protection



24-Port Crossover Bulkhead with Rear Protection with Slack Basket

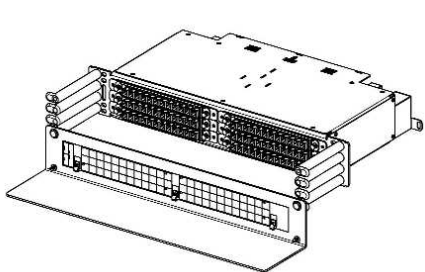
Dimensions

Height
1.75" or 1 RU

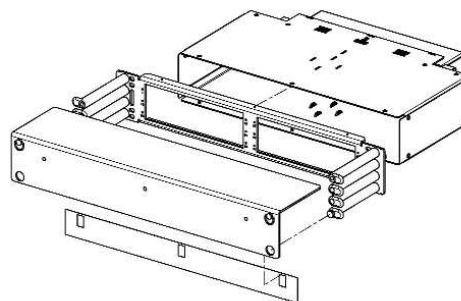
FieldSmart Fiber Crossover Distribution System (FxDS)



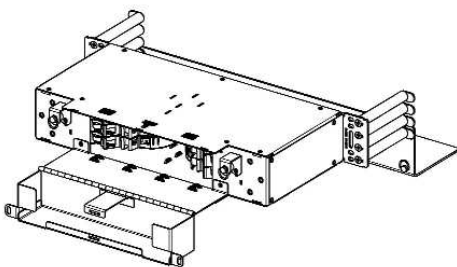
FxDS 72-Port Panel



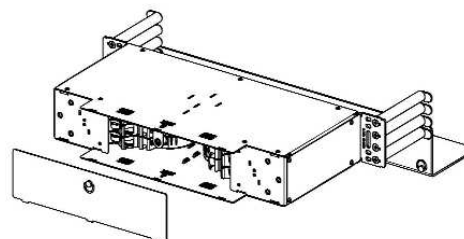
72-port - Front View



72-port - Front View

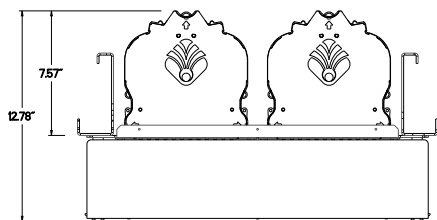


72-port - Rear View - Patch & Splice

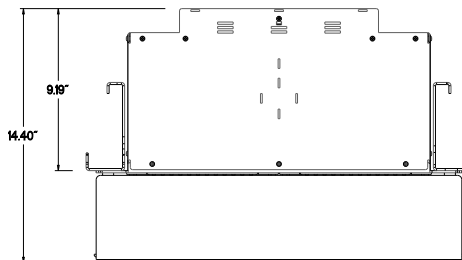


72-port - Rear View - Patch Only

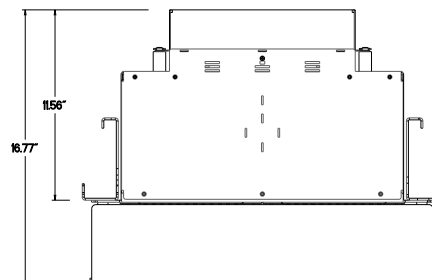
Top View



72-Port Crossover Bulkhead Only



72-Port Crossover Bulkhead with Rear Protection



72-Port Crossover Bulkhead with Rear Protection with Slack Basket

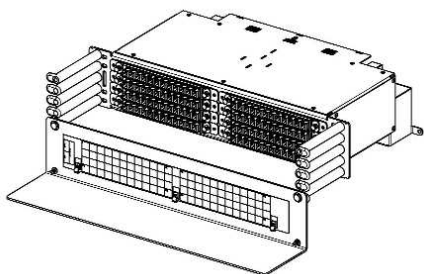
Dimensions

Height
3.5" or 2 RU

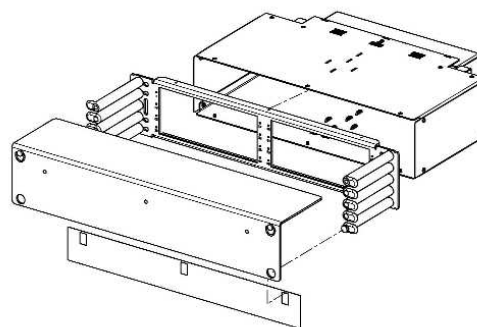
FieldSmart Fiber Crossover Distribution System (FxDS)



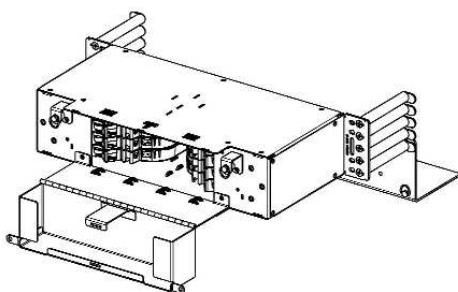
FxDS 96-Port Panel



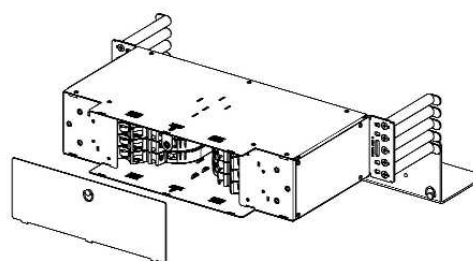
96-port - Front View



96-port - Front View

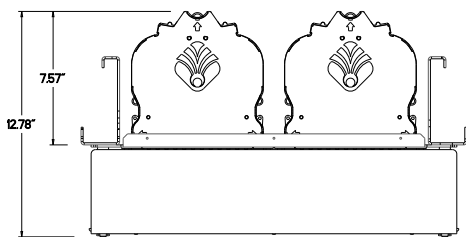


96-port - Rear View - Patch & Splice

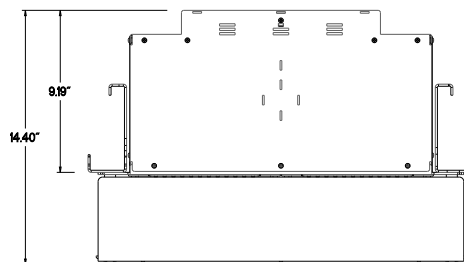


96-port - Rear View - Patch Only

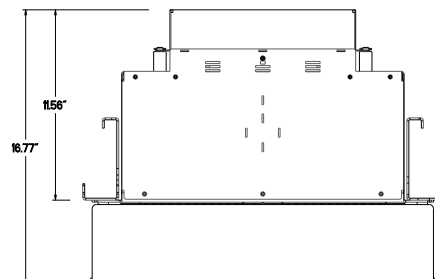
Top View



96-Port Crossover Bulkhead Only



96-Port Crossover Bulkhead with Rear Protection



96-Port Crossover Bulkhead with Rear Protection with Slack Basket

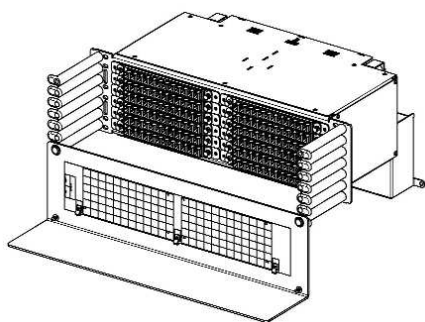
Dimensions

Height
4"

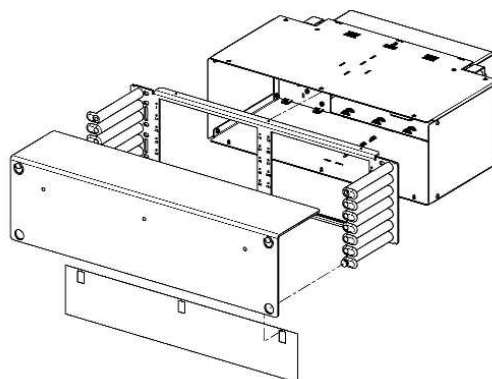
FieldSmart Fiber Crossover Distribution System (FxDS)



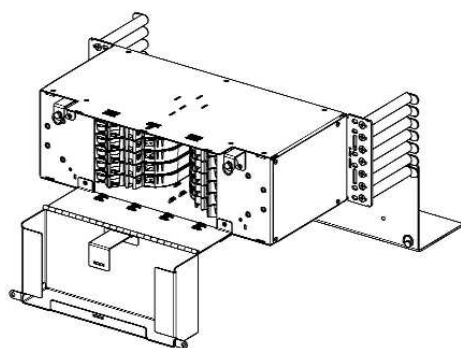
FxDS 144-Port Panel



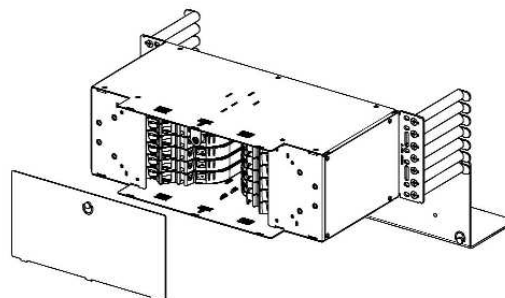
144-port - Front View



144-port - Front View

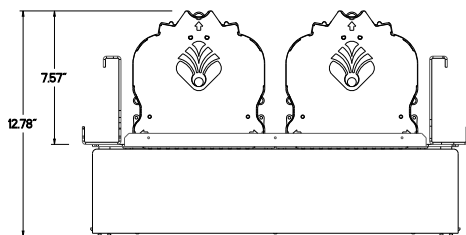


144-port - Rear View - Patch & Splice

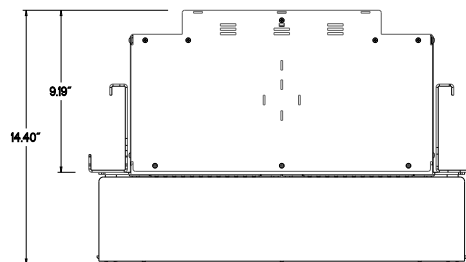


144-port - Rear View - Patch Only

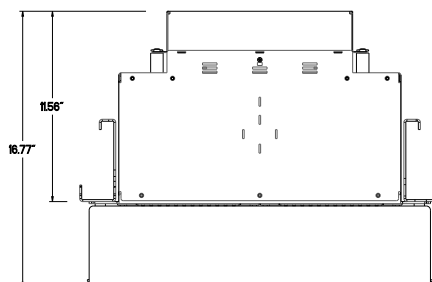
Top View



144-Port Crossover Bulkhead Only



144-Port Crossover Bulkhead with Rear Protection



144-Port Crossover Bulkhead with Rear Protection with Slack Basket

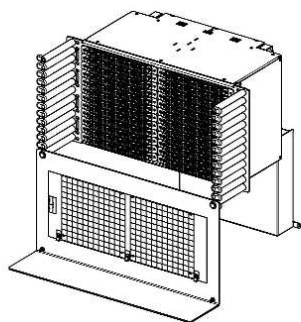
Dimensions

Height
6"

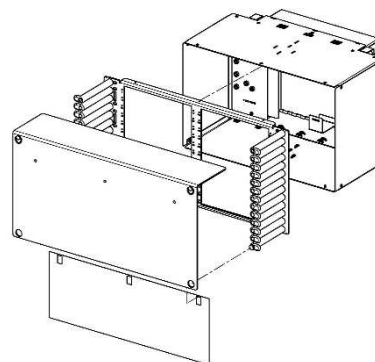
FieldSmart Fiber Crossover Distribution System (FxDS)



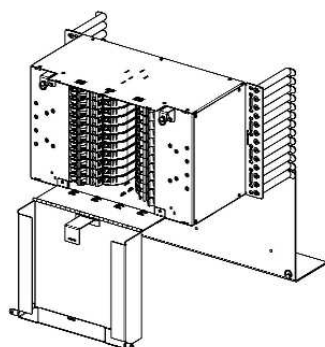
FxDS 288-Port Panel



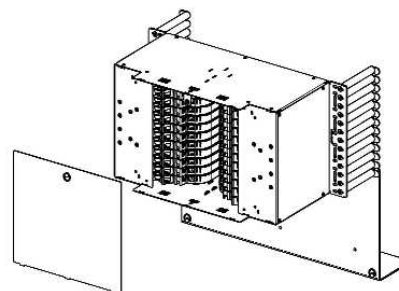
288-port - Front View



288-port - Front View

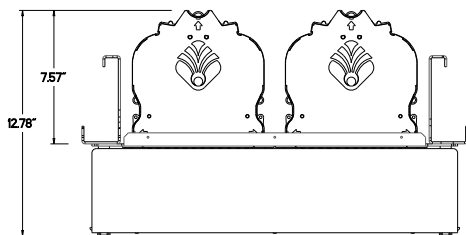


288-port - Rear View - Patch & Splice

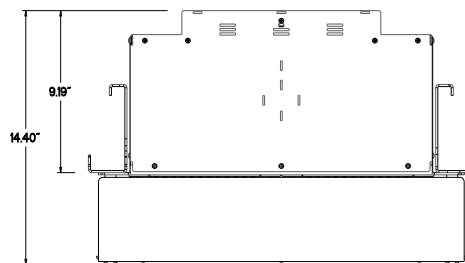


288-port - Rear View - Patch Only

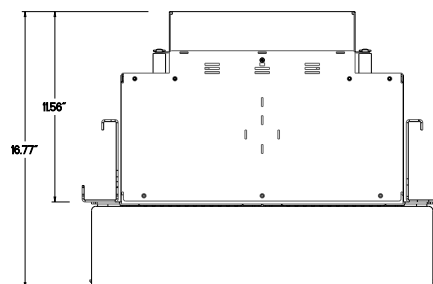
Top View



288-Port Crossover Bulkhead Only



288-Port Crossover Bulkhead with Rear Protection



288-Port Crossover Bulkhead with Rear Protection with Slack Basket

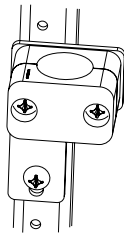
Dimensions

Height
11"

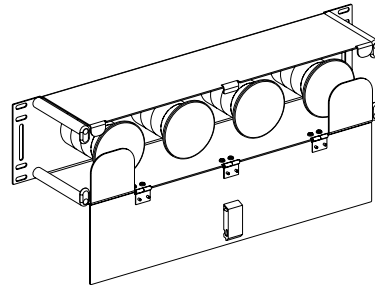
FieldSmart Fiber Crossover Distribution System (FxDS)



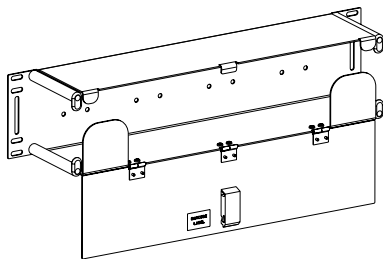
FxDS Fiber Panel Accessories



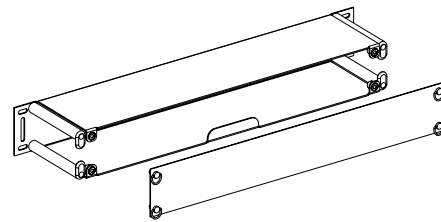
Frame Clamp Kit -
(page 45)



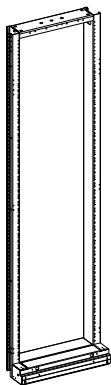
5-inch Cable Management Trough -
Hinge Cover (page 41)



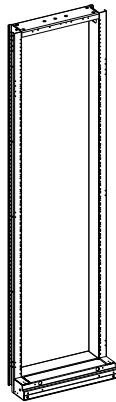
5-inch Crossover - Hinge Cover
(page 41)



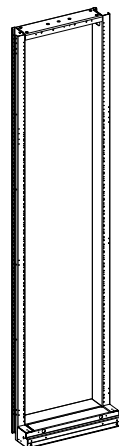
3-inch Crossover - Bail Locks
(page 41)



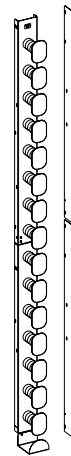
7' Frame



8' Frame



9' Frame



Interbay & End Guard (Optional)

(page 40)

FieldSmart Fiber Crossover Distribution System (FxDS)



FxDS 24, 72, 96, 144, or 288-Port Fiber Panels

Configured Part Numbers

G - - - - - - - A XXXM or XXXF

1 Select Protection

M = Front Protection only
 N = Rear Protection only
 P = Front & Rear Protection
 R = Bulkhead only

5 Select Mode / Type

1 = Singlemode - Non-Ribbon
 2 = Singlemode - Ribbon
 3 = Multimode (62.5) - Non-Ribbon
 4 = Multimode (62.5) - Ribbon
 5 = Multimode (50) - Non-Ribbon
 6 = Multimode (50) - Ribbon
 7 = Multimode (50) Laser Opt- Non-Ribbon
 8 = Multimode (50) Laser Opt - Ribbon

7 Select panel type

A = Patch Only (1 multifiber cable)
 F = Patch & Splice (Slack Basket)
 Note: To use the slack basket the panel must have rear protection.

1 Max port counts are for SC and LC adapters. For ST and FC adapters the max port counts are:

1RU = 24	4" = 48	11" = 192
2RU = 48	6" = 96	

2 Select Chassis Size¹

J = 1RU (1.75") - Max 24 ports
 E = 2RU (3.5") - Max 72 ports
 K = 4" - Max 96 ports
 G = 6" - Max 144 ports
 H = 11" - Max 288 ports

6 Select cable construction

A = Indoor, Riser Rated (IFC)
 B = OSP, Riser Rated
 C = Indoor, Plenum (IFC)
 E = OSP, Non-Rated
 F = 900um Tight Buffer (P & S only)

8 Select cable exit²

1 = Top Right
 2 = Top Left
 3 = Bottom Right
 4 = Bottom Left
 Z = N/A - Use for Patch & Splice

2 Cable exit is defined by which direction the cable exits the panel when viewing it from the back.

Note: All FxDS panels are designed to fit in 19" and 23" frames and are front load only.

3 Select port count

X X X = port count in increments of 12

4 Select connector style

A = SC UPC F = LC UPC
 C = SC APC H = LC APC

XXXM or XXXF

XXXF = Length of pigtail in feet
 XXXM = Length of pigtail in meters