

# FieldSmart Fiber Crossover Distribution System (FxDS)

## On-Frame 6-Drawer Splice Deck



### Application

The Clearfield Splice Deck is designed for customers who prefer on-frame splicing. Provides 144 loose tube splice capacity or 432 ribbon capacity in 6" footprint for on-frame splicing applications where a dedicated splice only footprint is desired.

### Description

Six slide out drawers providing either 24 loose-tube HSF splices or 72 ribbon splices per drawer. OSP and IFC cables enter through the back of the module into a dynamic slack take-up device, and route to splicing area of the drawer. On panel clamping kits come standard with deck. On-frame clamp kits available.

### Features & Benefits

#### Integrity

- Compliant to GR-449
- RUS listed
- Industry standard splice tray
- Alternative "low profile" trays may be substituted for familiarity to splicing technicians

#### Protection

- Patent awarded slack take-up system dynamic ensures that pinch point and slack is adequately stored when drawers are opened and closed
- Full bend-radius protection throughout panel
- Front and rear covers for physical fiber protection

#### Access

- Slide out drawers provide direct access to route paths, slack, and splice trays
- Rear entry and tie-points to secure incoming cables

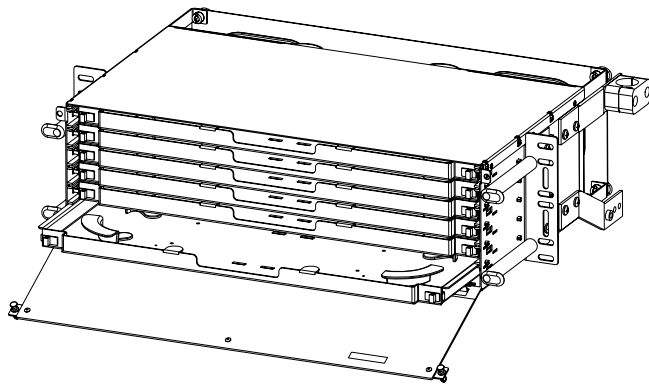
#### Investment

- Supports both loose-tube and ribbon constructions
  - Max 24 splice per drawer LT (144)
  - 72 splice per drawer RB (432)
- Segregation using drawer based solution provides ability to add and splice fiber without increased risk to fiber located in other drawers
- Low 6" vertical profile allows 864 on-frame splicing to be achieved using FieldSmart FxDS
- Ability to hold 144-loose tube splices or 432 mass fusion ribbon splices in a 6" footprint
- Available for 23" frames

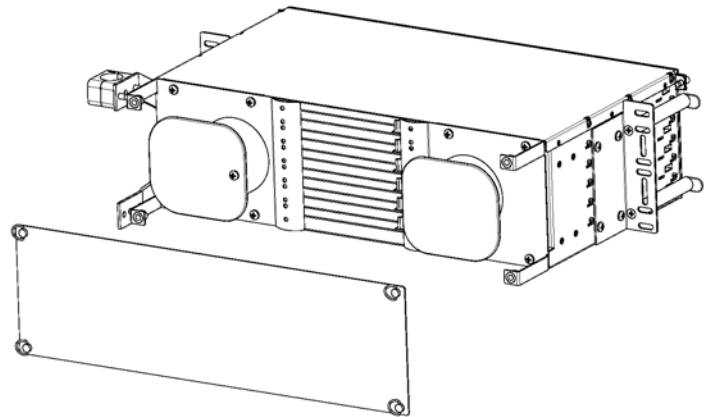
# FieldSmart Fiber Crossover Distribution System (FxDS)



## On-Frame 6-Drawer Splice Deck



Front View



Rear View

### Dimensions

Height	Width	Length
6"	17.5"	16.0"

### Pre-configured Part Numbers

Part Number	Description
LDH-144-ZZZ	144-Fiber Loose Tube Splice Capacity
LEM-432-ZZZ	432-Ribbon Mass Fusion Splice Capacity