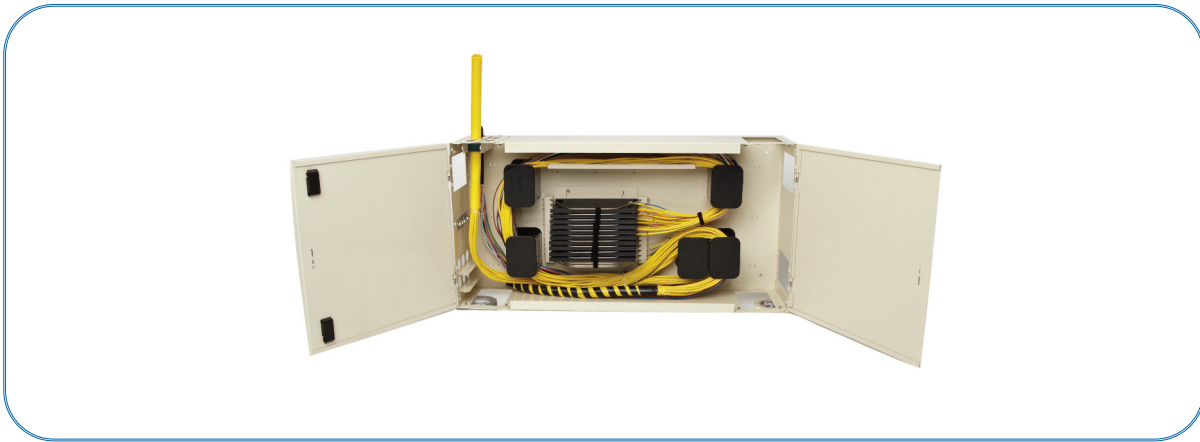


FieldSmart Fiber Crossover Distribution System (FxDS)



Fiber Entrance Cabinet (FEC)



Application

The FieldSmart Fiber Entrance Cabinet (FEC) provides off-frame splicing for the central office, headend or remote hut.

Description

The FieldSmart FEC is built on a modular platform scaling 288 HSF or 864 mass fusion (ribbon) fiber splices at a time. Multiple entry/exit points allow for multiple distribution and OSP fiber sheaths to enter into the FEC from top, bottom, or sidewalls transitioning from conduit, overhead fiber tray or raised flooring. A removable splice block, holding twelve 24-fiber splice trays, allows the user access and prep away from the cabinet. Intuitive buffer tube and sub-unit slack routing prevents cable tie-in's with a clockwise routing scheme to allowing quick and easy re-entry after initial deployment or to add additional capacity. The FEC can be ganged together, in modular fashion, allowing scalability up to 864 fiber splices and beyond if vertical real estate is available.

Each cable entrance plate will support cable diameters up to 1 inch. Lockable cupboard style doors allow for easy access with minimal swing clearance required for tight aisle clearances.

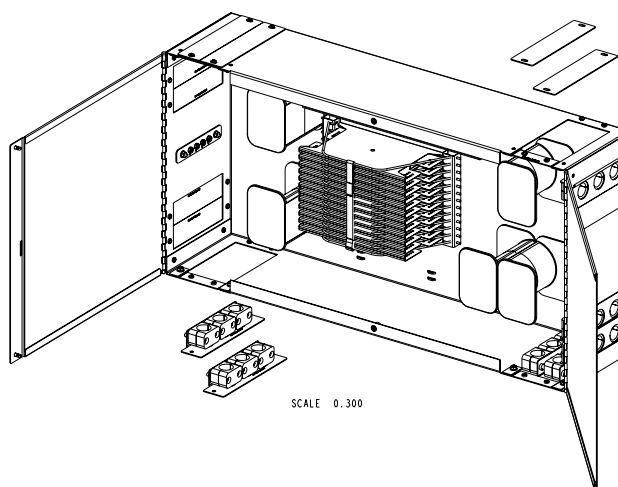
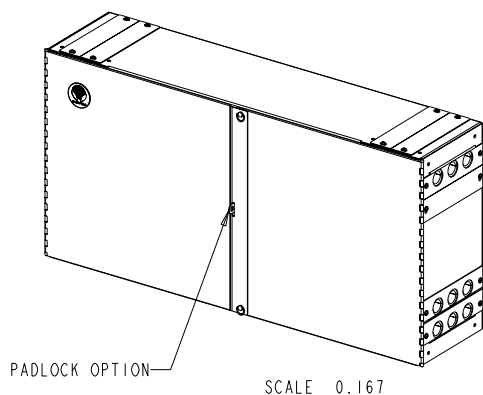
Features and Benefits

- Splice trays handle HSF or MF (ribbon)
- Sturdy construction using 16 ga. steel
- Modular and scalable
- Ability to store 15 feet of exposed buffer tubes
- Piano hinged door for extra stability. Removable hinge pin if you need to remove the door.

FieldSmart Fiber Crossover Distribution System (FxDS)



Fiber Entrance Cabinet (FEC)



Dimensions

Height	Width	Depth
17.5"	34.5"	8.25"

Pre-configured Part Numbers

Part Number	Description
009894	Fiber Entrance Cabinet - 288 splice capacity (includes 1 clamp kit. No splice trays.)
010504	Splice Tray for FEC - 24 HSF (Heat Shrink Fusion) or 6 MF (Mass Fusion)
010505	Clamp Kit (includes 4 clamp plates, (4) 1/2" clamps, (4) 1" clamp plugs and appropriate hardware)
010503	Locking Kit (Optional)