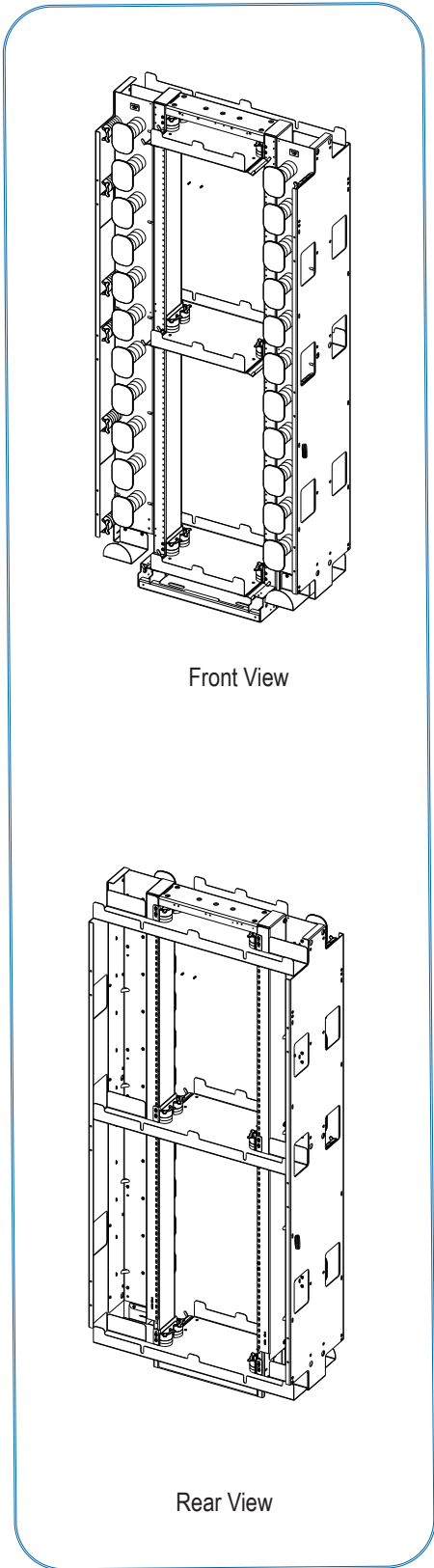


# FieldSmart Fiber Crossover Distribution System (FxDS)



## FxDS Frame Kit with SmartRoute Troughing



Front View

Rear View

### Application

The FxDS Frame Kit is a fully contained fiber management system for the inside plant. Full length front and rear doors provide protection for termination fields, incoming distribution cables, and interbay routed jumpers while the outer-housing provides the physical protection for fiber ports housed inside. When used in conjunction with the FxDS panels, ultimate density and protection is offered at the optimal cost.

#### With SmartRoute Trough

SmartRoute Troughing builds upon the cable management functionality with a sleek method of providing a continuous channel for bay-to-bay routing in a safe and efficient manner -- without increasing jumper lengths. SmartRoute Troughing allows the service provider to carry the distance and weight of thousands of jumpers on a horizontal plane. This spreads the pile up and eliminates the risk of micro and macro bends.

SmartRoute Troughing uses the same footprint as the existing FieldSmart FxDS Frame Kit. It can also be easily substituted to allow an additional route path, within the trough, to the rear of the frame, where a horizontal trough provides routes in either direction. When used across multiple frames, a continuous channel is created allowing bay-to-any-bay routing in a safe and efficient manner. This does not increase jumper lengths beyond what would normally be used. A jumper leaves the frame from the front-to-the-rear of the SmartRoute and is routed horizontally across the rear channel. It enters rear-to-front of the SmartRoute on the destination frame. Complete utilization of the SmartRoute Trough throughout the FieldSmart FxDS provides for three continuous rear-routing channels across the length of the lineup regardless of how many frames are deployed.

#### With PON Kit

Front route troughs are available as an alternative when the frame is deployed with a PON Kit or for environments where interbay routes are not anticipated.

### Pre-Configured Part Numbers

Frame Kit Part Number	Description
010802-SR	FxDS SmartRoute Frame Kit (Includes 7' X 19" frame, 2 doors (dual), 2 interbay, 3 SmartRoute troughs, isolation pad, floor mount kit)
010802	FxDS Frame Kit (Includes 7' X 19" frame, 2 doors (dual), 2 interbay, 3 traditional troughs, isolation pad, floor mount kit)
010802-PON INSERT ONLY-SR	FxDS Frame Kit (Includes 7' X 19" frame, 2 doors (dual), 2 interbay with no spools, 3 SmartRoute troughs, isolation pad, floor mount kit)
010802-PON INSERT ONLY	FxDS Frame Kit (Includes 7' X 19" frame, 2 doors (dual), 2 interbay with no spools, 3 traditional troughs, isolation pad, floor mount kit)
PON Insert Part Number	Description
010263	FxDS 576-port PON Insert (Select one of the following part numbers for feeder ports. You will be required to order a total of 4 of these per PON insert.)
	FMA-XXX-22 Adapter plate, 12X LC UPC SM
	FMA-XXX-25 Adapter plate, 12X SC UPC SM
	FMA-XXX-26 Adapter plate, 12X SC APC SM

# FieldSmart Fiber Crossover Distribution System (FxDS)

## FxDS Frame Kit with SmartRoute Troughing



### Features & Benefits

#### Integrity

- GR-449 Compliant

#### Protection

- Complete bend radius protection of all fiber cable throughout the routing schemes
- Diverse route paths minimize cable pile-up and ensure long term reliability of the circuits

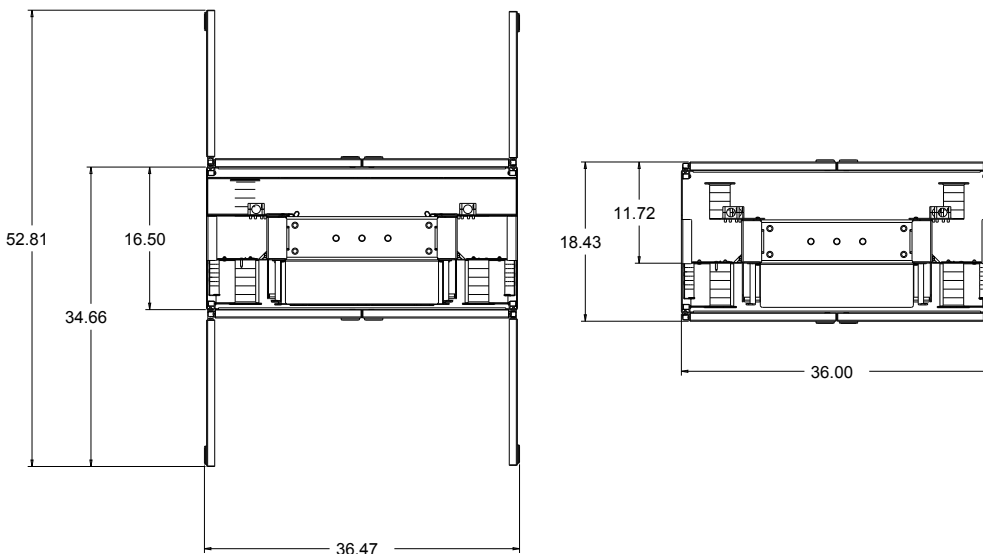
#### Access

- Each 12-fiber cassette is supported by its own horizontal radius fingers
- Interbay for each frame is not shared with adjacent frames to minimize cable crossover and tie-ins, allowing for easy identification
- Front access design with removable 12-pack adapter plates allows for quick and easy access to back of adapters without disturbing live circuits in other cassettes
- Removable full length doors allowing for superior access to routed jumpers and incoming distribution cables
- Front and rear access

#### Investment

- One frame size (7' x 19") accommodates up to 1728-ports or 1152-ports in a PON environment, with full horizontal and vertical slack management support. As the frame is dedicated for fiber terminations without any active gear, therefore the need to support 19" and 23" frames is not necessary.
- "Clearview Multiplied" optical component packaging integrates into crossover bulkheads eliminating the need to dedicate separate chassis' if desired.
- Fully loaded or grow as you go integrations allow the user choices to provide for cost containment as subscriber take-rates dictate.
- Frame components are used throughout the network from inside plant to OSP to access networks.
- Custom configured with common building blocks, it supports any and all applications.

### Top View Dimensions



### Pre-configured Part Numbers

Part Number	Description
010802-SR	Frame Kit with SmartRoute Troughing
010802-PON Insert Only	Frame Kit with PON Insert (No spool on interbays)