

Troughs



Application

Clearfield has three types of troughs depending on the application. Slack Management Troughs contain radius spools that add additional incremental slack take-up to the fiber management system. Crossover troughs are used when radius spools are not required. They are simply used to cross from one side of the frame to another or to reach another frame. Active gear troughs are equipped with 9 radius fingers (19") and 11 radius fingers (23") on the open bottom. It is designed to be placed directly above or below an active gear chassis to manage slack and access of active gear cards and associated fiber ports.

Description

Troughs are in integral part of the FieldSmart fiber management platform. When used properly, troughs provide a protected route path when running jumpers between equipment.

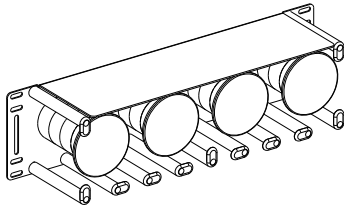
Features & Benefits

- Available in 3" and 5" heights
- Available in 19" and 23" mounting
- Slack Management and Active Gear Troughs are equipped with four radius spools for incremental slack take up
- Cable Management and Crossover Troughs standard with front door for additional protection and improved appearance
- All troughs are 5" deep

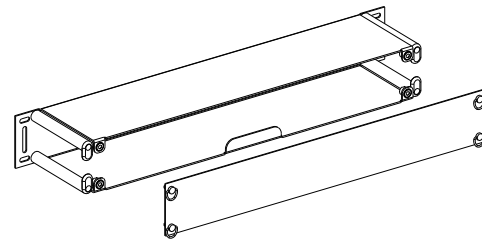
FieldSmart Fiber Crossover Distribution System (FxDS)



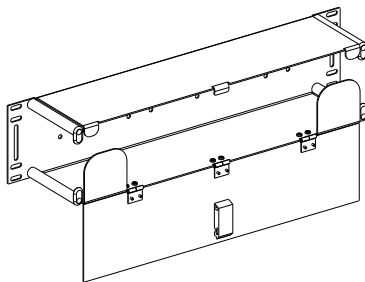
Troughs



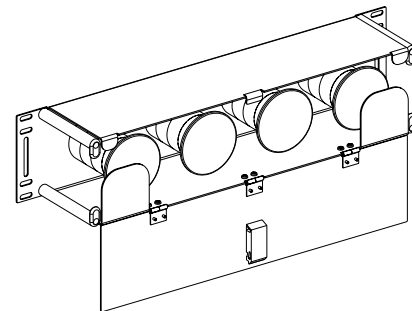
Active Gear Trough - No Cover



3" Crossover - Bail Locks



5" Crossover - Hinge Cover



5" Cable Management Trough - Hinge Cover

Configured Part Numbers

FMA -



1 Select trough type

- B = Crossover trough - no spools *
- C = Slack Management trough - with spools **
- D = Active gear trough

2 Select frame width

- 1 = 19" width *
- 2 = 23" width

3 Select trough height

- 3 = 3" height **
- 5 = 5" height

Notes:

* The 3" crossover trough does not come in a 19" width

** The slack management trough with spools does not come in a 3" height