

FieldSmart Fiber Delivery Point (FDP)

Outdoor Wall Mount Panel



Application

- Fiber demarcation
- Entrance facilities
- Security systems (CCTV)
- MDU (Multi-dwelling Units) applications

Description

The FieldSmart FDP Outdoor Wall Mount Panel allows the user to easily scale from 12 to 24 ports. Utilizing Clearview Cassettes, the product is shipped and loaded with the industry standard adapter of your choice. The product is preloaded for patch only or patch & splice applications and supports all cable constructions for inside and outside plant.

Features & Benefits

Integrity

- 100% tested GR-326 compliant terminations
- GR-20 and GR-409 compliant
- Supports all industry standard singlemode and multimode connectors
- 100% performance tested for I.L./R.L. and final mechanical inspect

Protection

- Outdoor unit designed to NEMA 4 requirements
- Zinc-plated for harsh environment reliability
- Radius protected storage for up to three (3) meters of jacketed fiber or patch cord slack is provided (patch side)
- Internal radius protected storage of up to one (1) meter of 900um fiber and three (3) meters of jacketed fiber (splice side)
- Rugged steel construction with locking access doors provides security from tampering or inadvertent damage
- Integrated fiber management protects fiber from micro-bend and macro-bend damage
- Ability to padlock the outdoor for increased security

Access

- Removable doors and non-angled connectors enable fast, easy fiber jumper routing
- Ships ready to install with cable clamp kit, locks and miscellaneous accessories
- Multiple entry/exit points for feeder/customer premise cables
- Larger design facilitates ease of access in the environments product is deployed
- Rear wall knockout for conduit entry
- Accessible using a standard can wrench

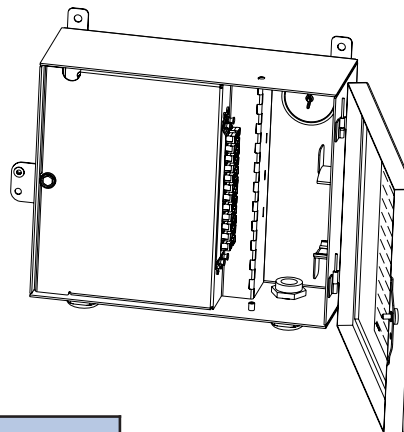
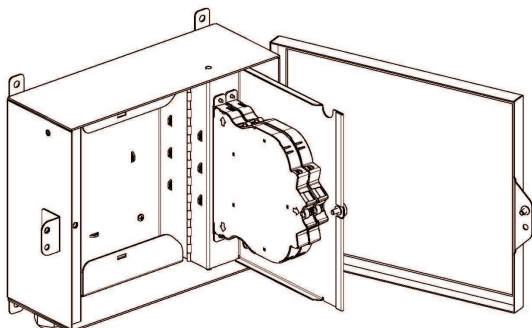
Investment

- Scalable to 24 ports of fiber using Clearview Cassettes loaded with the interface of your choice
- Pre-configured/pre-loaded factory terminated assemblies
- Patch only or patch & splice configurations supported
- Panel can be configured as a tie panel and later converted to a patch only or a patch & splice panel, utilizing the Clearview Cassette

FDP Outdoor Wall Mount Panel

FieldSmart Fiber Delivery Point (FDP)

Outdoor Wall Mount Panel



Specifications

Outdoor Wall Mount Panel	
Dimensions	12.52" H x 16.22" W x 5.75" D
Port Density	Up to 24 ports
Splice Capacity	24 splices in Clearview Cassette
Interface Types	ST, SC, SC APC, FC, FC APC, LC, LC APC
Storage Capacity	One meter of 900um fiber, Up to 5 meters of 12-fiber IFC jacketed fiber

Accessories

- Pole Mount Kit (page 63)

Configured Part Numbers

W Z - - - Z Z XXXM or XXXF

1 2 3 4 5 6

1 Select wallmount style

C = Patch only
D = Patch & splice
H = Tie Panel

3 Select connector style

A = SC UPC J = FC UPC
C = SC APC K = FC APC
F = LC UPC M = ST UPC
G = LC APC

5 Select cable construction

B = OSP, Riser Rated
E = OSP, Non-Rated
F = 900um Tight Buffer (P & S only)

XXXM or XXXF

XXXF = Length of pigtail in feet
XXXM = Length of pigtail in meters

2 Select port count

012 = 12 port
024 = 24 port

4 Select Mode / Type

1 = Singlemode, non ribbon
2 = Singlemode, ribbon
3 = Multimode (62.5), non ribbon
4 = Multimode (62.5) ribbon
9 = No fiber - multimode
0 = No fiber - singlemode

6 Select cable exit *

6 = Bottom Left
Z = N/A - Use for Patch & Splice