

FieldSmart Fiber Scalability Center (FSC)

288, 432, 576 or 1152-Port PON Cabinets



Application

Provides an interconnect environment from the feeder network through the optical passive splitter to the distribution network in an FTTH PON OSP cabinet. The FieldSmart FSC PON 1152-Port Cabinet sets the new bar for density, providing up to 1,152 fibers. The cabinet provides up to 1152 homes-served density, when environmental conditions exist as well as the need to distribute FTTH in urban or dense neighborhood from a single distribution point.

Description

The FieldSmart FSC PON is the complete solution for managing 1152 home-served port distribution fibers for an outside plant FTTH PON application. Through the incremental design of the Clearview Cassette, user capacity can be scaled from as few as 12 ports to the maximum configuration of the cabinet, allowing the service provider to align the investment in capital equipment to the turn-up of revenue-generating circuits.

Features & Benefits

Integrity

- 100% tested GR-326 compliant terminations
- GR-20, GR-409, GR-487, GR-1221 and GR-1209 compliant

Protection

- 12-fiber Clearview Cassette houses each 12-fiber increment of patch only or patch & splice, protecting fiber from the environment and human factors
- Rugged cable clamps protect against twisting/ pistoning of the critical breakout or buffer tube access point of the OSP cable
- Patch only buffer tubes fully protected with ruggedized bend limiting tubing
- Snakeskin sleeving provides additional buffer tube slack storage protection and manageability for patch & splice configurations
- Small splitter package for minimal space requirements, ruggedized jacketing on input/output legs and bend insensitive fiber
- Ground/locate box optional

Access

- Clearview Cassette allows for quick visual troubleshooting without opening cassette
- Front access to pre-terminated assemblies with Clearview removable adapter plate
- Easy two captive fasteners for quick removal of individual cassettes for trouble shooting, splicing, or hot swappability
- Front and rear access

Investment

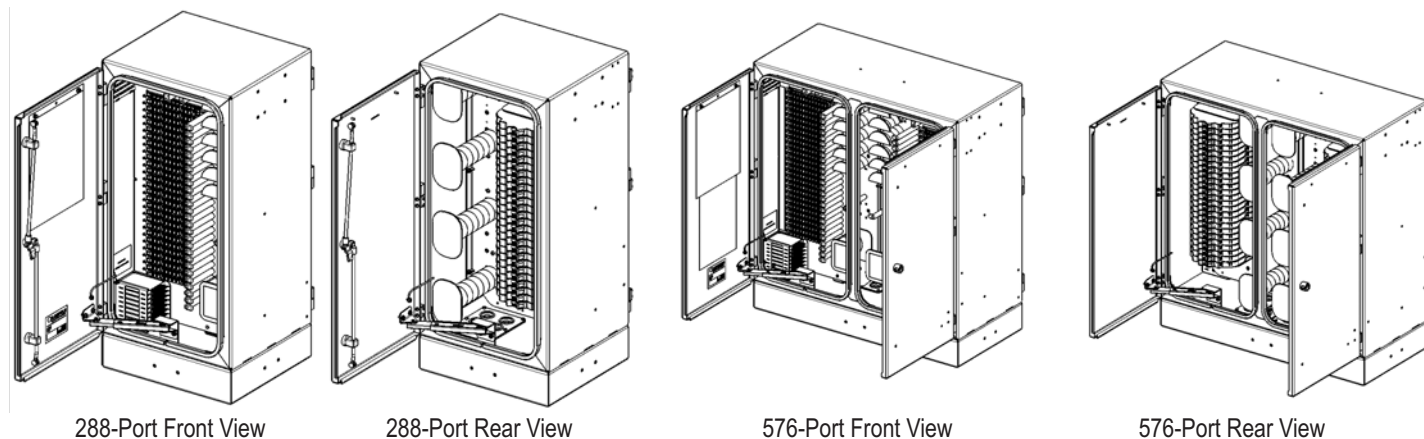
- All fiber deployed in increments of 12, providing the users to the ability to scale from 12 ports to full capacity aligning capital investment with network layout or subscriber revenue
- User defined feeder to distribution ratios for cross-connect environments for ultimate flexibility
- Express ports allow for extensions or parallel networks through the cabinet
- Patch & splice configurations eliminate costs associated with jacketed IFC cabling, hand-holes, and splice cases

FSC 288, 432, 576 or 1152-Port PON Cabinets

FieldSmart Fiber Scalability Center (FSC)

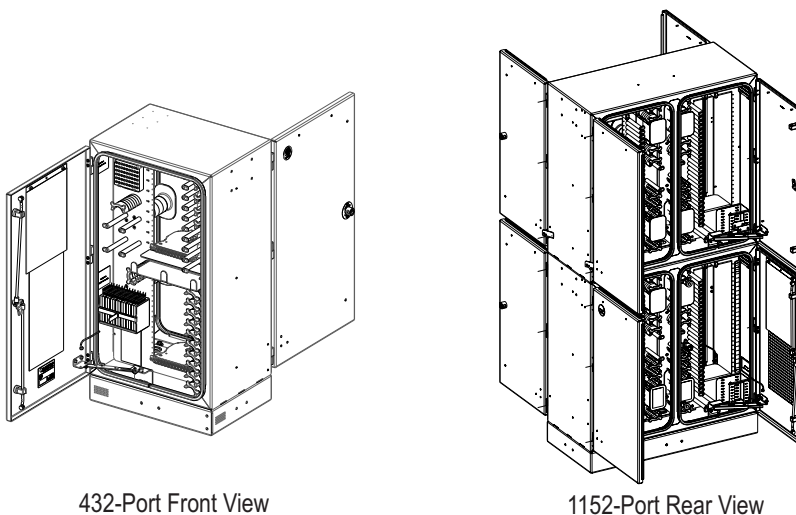


288, 432, 576 or 1152-Port PON Cabinets



Accessories

- 12" Riser
- 4" Riser
- Ruggedized Splitter (page 70)
- Mid-span/Feed-through Plate Kit (page 69)
- Ground Box (page 67)
- Pole Mount Kit (Page 68)



Specifications

	288-Port	432-Port	576-Port	1152-Port
Size	32" H x 16" W x 16" D (51 lbs.)	37"H x 21"W x 17"D (92 lbs.)	32"H x 33"W x 16"D (92 lbs.)	64" H x 33"W x 16"D (184 lbs.)
Standard Riser Base	4" (6 lbs.)	4" (9 lbs.)	4" (9 lbs.)	4"
Optional Riser Base	12" (13 lbs.)	12" (19 lbs.)	12" (19 lbs.)	12"
Pole Mount	Yes	Yes	No	No
Pad Mount	Yes	Yes	Yes	Yes
Splicing	Within Clearview Cassette	Within Clearview Cassette	Within Clearview Cassette	Within Clearview Cassette
Maximum Home Served, multiplied in 12-port Clearview Cassettes	288	432	576	1152
Feeder/Express Ports	48	48	96	192
Cables Entry	6	6	12	12
Splitters Slots	9	14	18	18
Dual 1 x 16, Quad 1 x 8	Yes	Yes	Yes	Yes
Ground Locate Box	Yes - Optional	Yes - Optional	Yes - Optional	Yes - Optional

FieldSmart Fiber Scalability Center (FSC)

288, 432, 576 or 1152-Port PON Cabinets



Configured Part Numbers

288-Port Cabinet

R - - - - - XXXM or XXXF										
1	2	3	4	5	6	7	8	9	A	
1 Select cabinet type N = Patch only w / 4" riser P = Patch & splice w / 4" riser 3 = Patch only w / 12" riser 4 = Patch & splice w / 12" riser	2 Select feeder port count 1 = 12 ports (1 cassette) 2 = 24 ports (2 cassettes) 3 = 36 ports (1 cassette) 4 = 48 ports (2 cassettes)	3 Select distribution port count X X X = port count in increments of 12	4 Select connector style A = SC UPC C = SC APC F = LC UPC H = LC APC	5 Select Mode / Type 1 = Singlemode - Non-Ribbon 2 = Singlemode - Ribbon	6 Select cable construction E = OSP, Non-Rated (Patch only) F = 900um Tight Buffer (P & S only)	7 Select Qty of 144 - fiber OSP cables 0 = 0 1 = 1 2 = 2	8 Select Qty of 96 - fiber OSP cables 0 = 0 1 = 1 2 = 2 3 = 3	9 Select Qty of 72 - fiber OSP cables 0 = 0 1 = 1 2 = 2 3 = 3 4 = 4 5 = 5 6 = 6	A Select ground / locating box G = Ground / locating required Leave blank if no ground / locating box is required.	XXXM or XXXF XXXM = Length of pigtailed in meters XXXF = Length of pigtailed in feet

432-Port Cabinet

R - - - - - XXXM or XXXF										
1	2	3	4	5	6	7	8	9	A	
1 Select cabinet type A = Panel only w / a 12" riser B = Patch only w / 4" riser C = Patch & splice w / 12" riser D = Patch & splice w / 4" riser	2 Select feeder port count 1 = 12 ports (1 cassette) 2 = 24 ports (2 cassettes) 3 = 36 ports (1 cassette) 4 = 48 ports (2 cassettes)	3 Select distribution port count X X X = port count in increments of 12	4 Select connector style A = SC UPC C = SC APC F = LC UPC H = LC APC	5 Select Mode / Type 1 = Singlemode - Non-Ribbon 2 = Singlemode - Ribbon	6 Select cable construction E = OSP, Non-Rated (Patch only) F = 900um Tight Buffer (P & S only)	7 Select Qty of 144 - fiber OSP cables 0 = 0 1 = 1 2 = 2 3 = 3	8 Select Qty of 96 - fiber OSP cables 0 = 0 1 = 1 2 = 2 3 = 3 4 = 4	9 Select Qty of 72 - fiber OSP cables 0 = 0 1 = 1 2 = 2 3 = 3 4 = 4 5 = 5 6 = 6	A Select ground / locating box G = Ground / locating required Leave blank if no ground / locating box is required.	XXXM or XXXF XXXM = Length of pigtailed in meters XXXF = Length of pigtailed in feet

576-Port Cabinet

R - - - - - XXXM or XXXF										
1	2	3	4	5	6	7	8	9	A	
1 Select cabinet type K = Patch only w / 4" riser M = Patch & splice w / 4" riser 1 = Patch only w / 12" riser 2 = Patch & splice w / 12" riser	2 Select feeder port count 1 = 12 ports (1 cassette) 2 = 24 ports (2 cassettes) 3 = 36 ports (3 cassettes) 4 = 48 ports (4 cassettes) 5 = 60 ports (5 cassettes) 6 = 72 ports (6 cassettes) 7 = 84 ports (7 cassettes) 8 = 96 ports (8 cassettes)	3 Select distribution port count X X X = port count in increments of 12	4 Select connector style A = SC UPC C = SC APC F = LC UPC H = LC APC	5 Select Mode / Type 1 = Singlemode - Non-Ribbon 2 = Singlemode - Ribbon	6 Select cable construction E = OSP, Non-Rated (Patch only) F = 900um Tight Buffer (P & S only)	7 Select Qty of 144 - fiber OSP cables 0 = 0 1 = 1 2 = 2 3 = 3 4 = 4	8 Select Qty of 96 - fiber OSP cables 0 = 0 1 = 1 2 = 2 3 = 3 4 = 4 5 = 5 6 = 6	9 Select Qty of 72 - fiber OSP cables 0 = 0 1 = 1 2 = 2 3 = 3 4 = 4 5 = 5 6 = 6	A Select ground / locating box G = Ground / locating required Leave blank if no ground / locating box is required.	XXXM or XXXF XXXM = Length of pigtailed in meters XXXF = Length of pigtailed in feet

1152-Port Cabinet

Please contact your Clearfield representative for more information on ordering this product.