

Fiber Scalability Center

Full Patch, Splice and Splitter Configurations for Any FTTP Architecture

APA Cables & Networks (APACN) merges its fiber connectivity expertise with a modular line of OSP cabinets to offer a unique FTTP distribution solution. Each Fiber Scalability Center utilizes field-tested designs to maximize bend radius protection, connector access, ease of cable routing and physical protection.

Most importantly, APACN's Fiber Scalability Center (FSC) allows for "grow-as-you-go" cost containment. Unique to the system is its easy installation and upgradeability, allowing companies to rollout FTTP services without a large initial expense. Modular 12-port cassettes in the distribution bulk head, featuring the company's unique slide-out "Valet Parking Lot" design, provide for easy identification and protection of jumper cables and the ability to scale splitter capacity as demand requires.

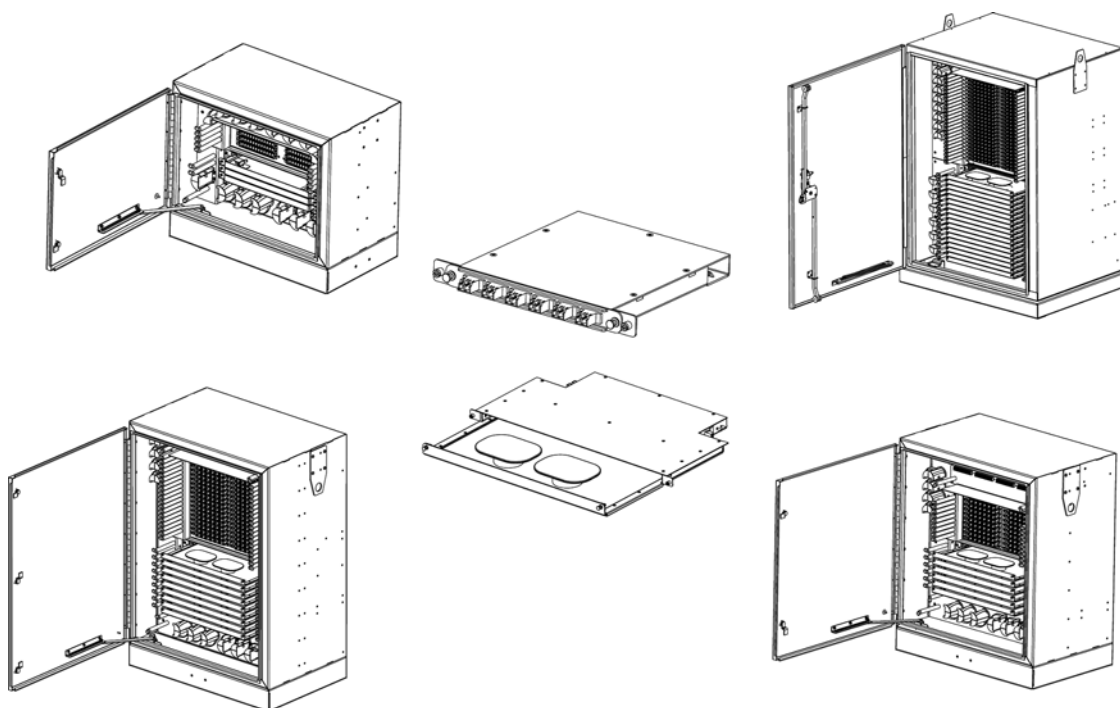


Distribution Fibers Supported	Splitter Modules Supported	Dimensions W x H x D (in inches)	Houses Reached	Patch & Splice
576	18	38 X 52 X 30	576	Yes
432*	9	31 X 44 X 20	288	Yes
288	9	31 X 44 X 20	288	Yes
192	6	31 X 37 X 20	192	Yes
96	3	28 X 24 X 18	96	Yes

* 1:1.5 split ratio

- Designed for easy installation and upgradeability
- Field-tested designs to maximize bend radius protection, connector access, ease of cable routing and physical protection
- Engineered to allow for FTTP rollout without a large initial expense - *Grow As You Go*

- Fast and cost effective installation into the current FTTP infrastructure
- Modular and scalable for ease of expansion and customer add-ons
- Cabinet size up to 576 homes for all FTTP environments
- GR-487 certified to assure ruggedized construction for harsh OSP environments
- Integrated cable management guides offer superior route diversity and bend radius protection
- Innovative "self-routing" transportation tubing for the distribution splice saves installation time
- Each splitter module supports (1) 1x32, (2) 1x16 or (4) 1x8 splitter modules while maintaining same maximum fiber count in same footprint
- Same part number for splitter modules across the FSC metallic platform reducing stocking needs
- RUS Listed
- Splitter modules can be added incrementally, providing lower start up costs for "grow-as-you-go" cost control
- Baked enamel finish for long-lasting environmental protection
- Key locks on both front and rear doors to prevent unauthorized entry
- All terminations are 100% tested for insertion loss and reflectance and are batch tested with an interferometer for end-face geometry to assure network stability
- Front and rear doors provide unobstructed access to all fiber splitters and connectors
- "Valet Parking Lot" - "One-touch" design to eliminate unnecessary handling of fiber jumpers and for quick turn-on of revenue generating lines
- "Expressway" - Designated feeder fiber adapters allow for patching splitter input pigtails to feeder fiber port on front of cabinet allowing for greater flexibility in use and easy testing



www.apacn.com