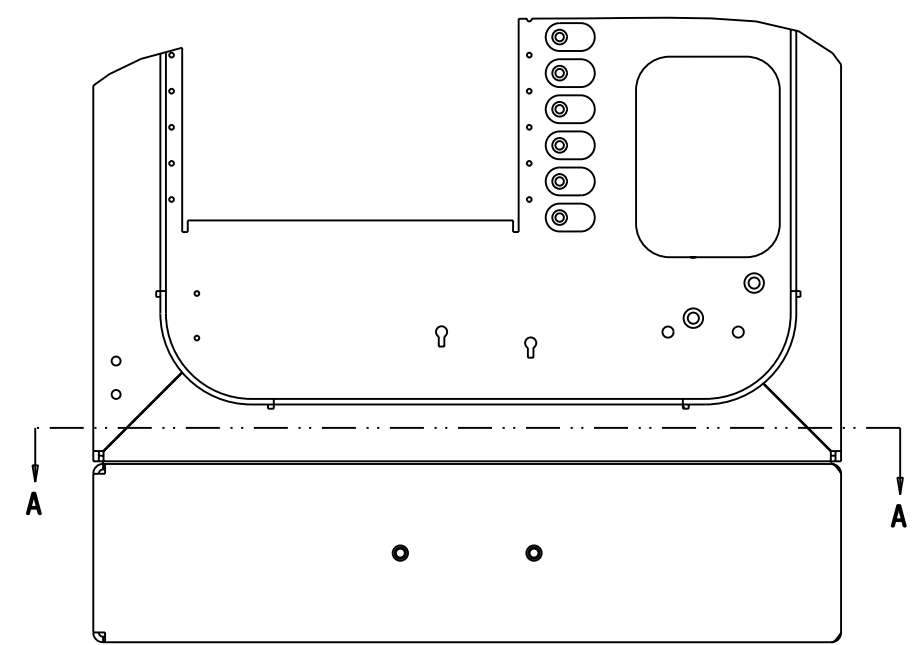
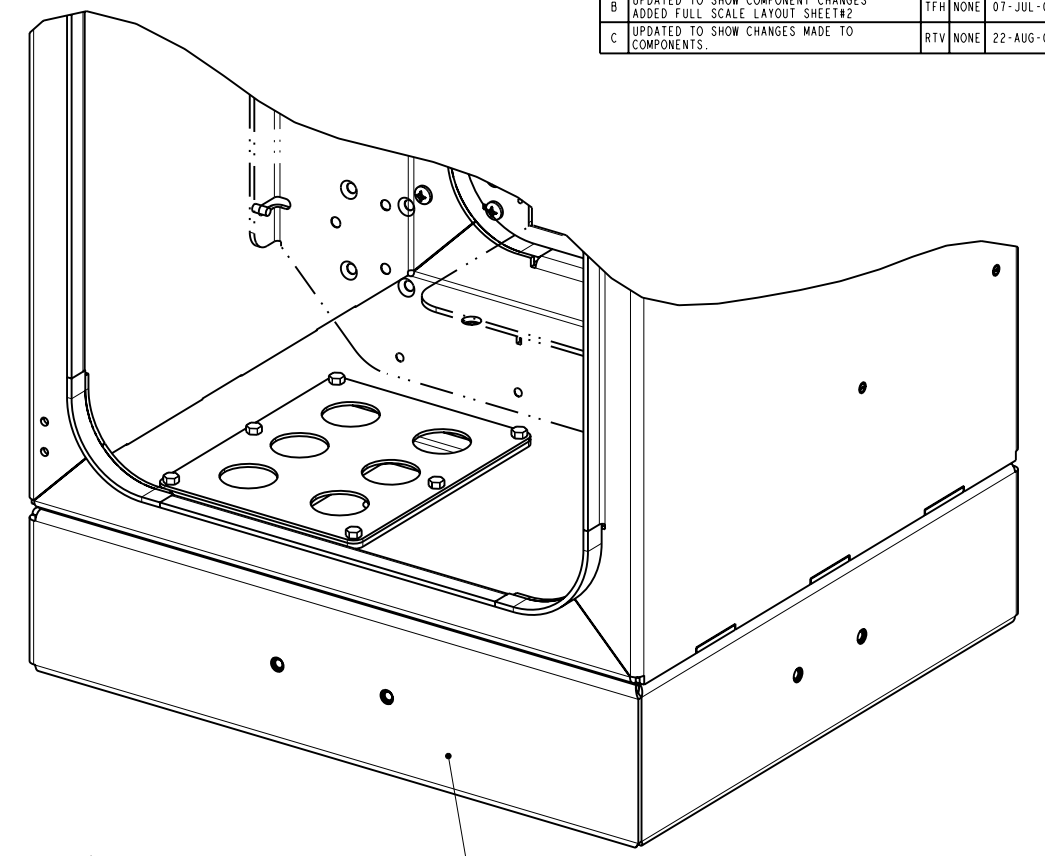


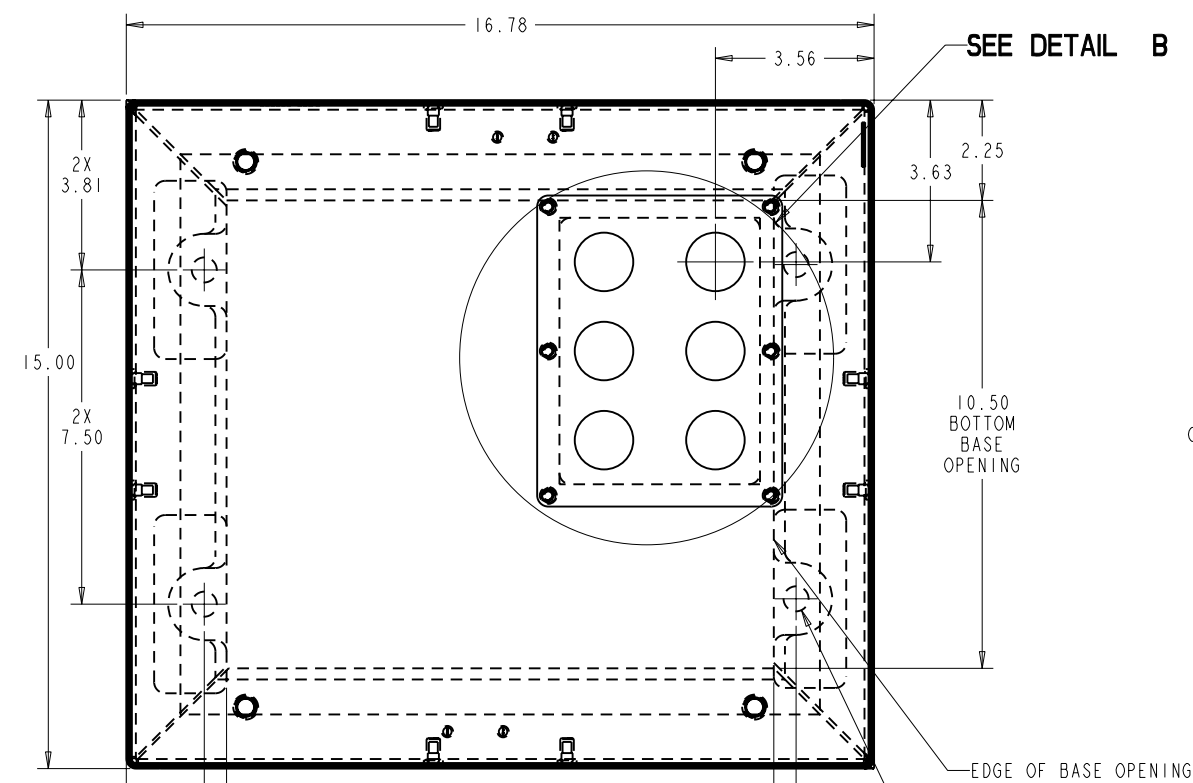
REV	DESCRIPTION OF CHANGE	BY	ECO	REV DATE
A	ENGINEERING RELEASE	RTV	50032	24-MAR-08
B	UPDATED TO SHOW COMPONENT CHANGES ADDED FULL SCALE LAYOUT SHEET#2	TFH	NONE	07-JUL-08
C	UPDATED TO SHOW CHANGES MADE TO COMPONENTS.	RTV	NONE	22-AUG-08



FRONT VIEW



4" BASE SHOWN.  
PATTERN IS FOR  
12" BASE AND 4" BASE

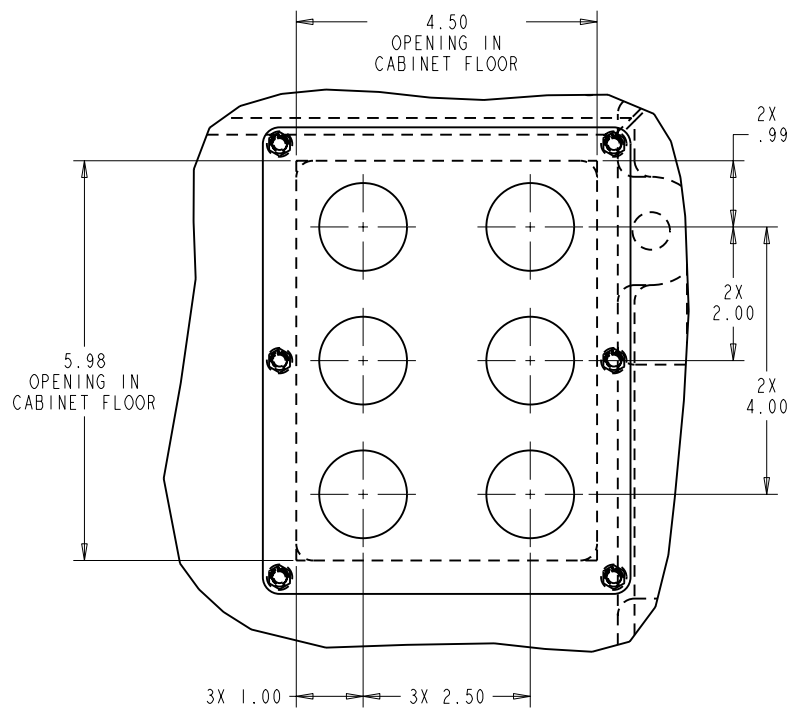


SECTION A-A

SEE DETAIL B

EDGE OF BASE OPENING

4X Ø .56  
ANCHOR HOLE IN  
WASHER PLATES



DETAIL B  
SCALE 0.750

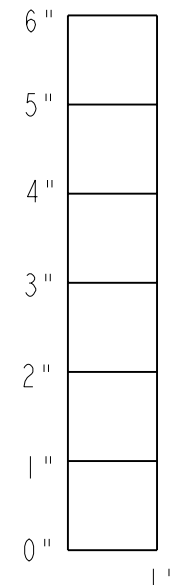
**APPROVED**  
By Frank Lowry at 3:16 pm, Aug 25, 2008

UNLESS OTHERWISE SPECIFIED  
ASME Y14.5M - 1994  
COPYRIGHT CLEARFIELD INC.  
THIS DOCUMENT IS THE  
PROPERTY OF CLEARFIELD INC.  
ITS USE IS AUTHORIZED ONLY FOR  
RESPONDING TO A REQUEST FOR  
QUOTATION ON THE PERFORMANCE  
OF WORK FOR CLEARFIELD INC. ALL  
QUESTIONS SHOULD BE DIRECTED TO  
CLEARFIELD INC. ENGINEERING DEPT.

MATERIAL: PER COMP.  
FINISH: PER COMP.  
DESIGNED BY: RTV 24-MAR-08  
DRAWN BY: RTV 24-MAR-08  
APPROVED BY:

**CLEARFIELD**  
5480 NATHAN LN, SUITE 120  
MINNEAPOLIS, MN 55442  
(800) 422-2537 (763) 476-6866  
www.clearfieldconnection.com  
FIELDSMART FSC 288 BASE INSTALL  
PART NUMBER: XXXX  
SCALE: 1.000 SHT 1 OF 2  
REV. C

SECTION A-A  
 FULL SCALE LAYOUT  
 SCALE 1:1.000



SCALE CHECK

<small>UNLESS OTHERWISE SPECIFIED</small> <small>ASME Y14.5M - 1994</small> <small>PROPERTY OF CLEARFIELD INC.</small> <small>THIS DOCUMENT IS THE PROPERTY OF CLEARFIELD INC. ITS USE IS AUTHORIZED ONLY FOR RESPONDING TO A REQUEST FOR QUOTATION ON THE PERFORMANCE OF WORK FOR CLEARFIELD INC. ALL QUESTIONS SHOULD BE DIRECTED TO CLEARFIELD INC. ENGINEERING DEPT.</small>		<small>2.X ±0.1</small> <small>3.XX ±0.01</small> <small>4.XXX ±0.005</small> <small>MACH ANG ±0°30'</small> <small>FORMED ANG ±.2°</small> <small>CHAMFER ±.5</small> <small>BREAK EDGES:</small> <small>R.01 OR .45" ±.01 MAX</small> <small>INTERNAL MACH R.02 MAX</small> <small>DIMENSIONS ARE IN INCHES</small> <small>DO NOT SCALE DRAWING</small>	MATERIAL: PER COMP. FINISH: PER COMP.	 <small>5480 NATHAN LN. SUITE 120</small> <small>MINNEAPOLIS, MN 55442</small> <small>(800) 422-2537 (763) 476-6866</small> <small>www.clearfieldconnection.com</small>	
DESIGNED BY	RTV 24-MAR-08	SIZE DRAWING NO:	D FS.FSC288BASE INSTALL	PART NUMBER:	XXXX
DRAWN BY	RTV	SCALE:	0.500	SHT	2 OF 2
APPROVED BY					C