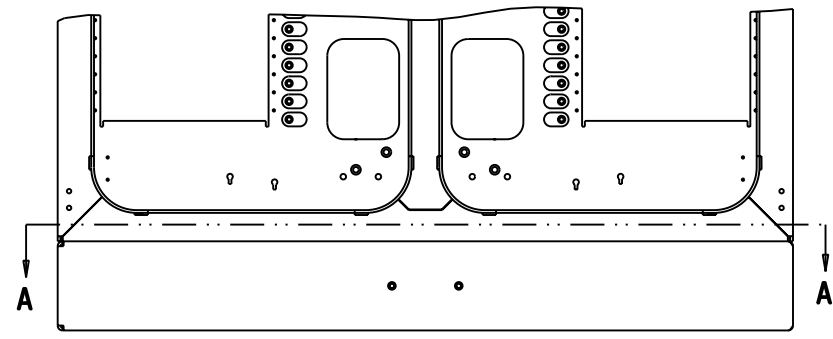
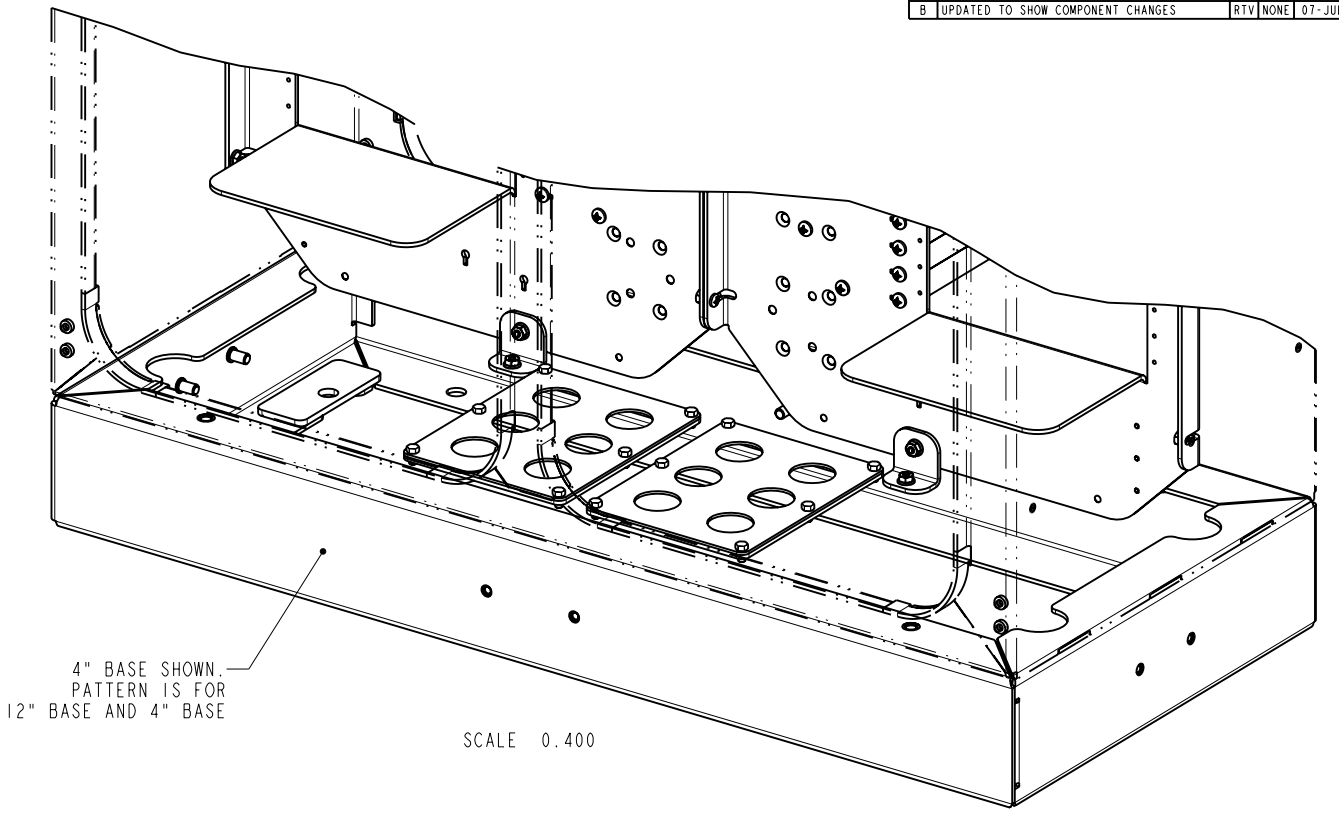


REV	DESCRIPTION OF CHANGE	BY	ECO	REV DATE
A	ENGINEERING RELEASE	RTV	50032	24-MAR-08
B	UPDATED TO SHOW COMPONENT CHANGES	RTV	NONE	07-JUL-08

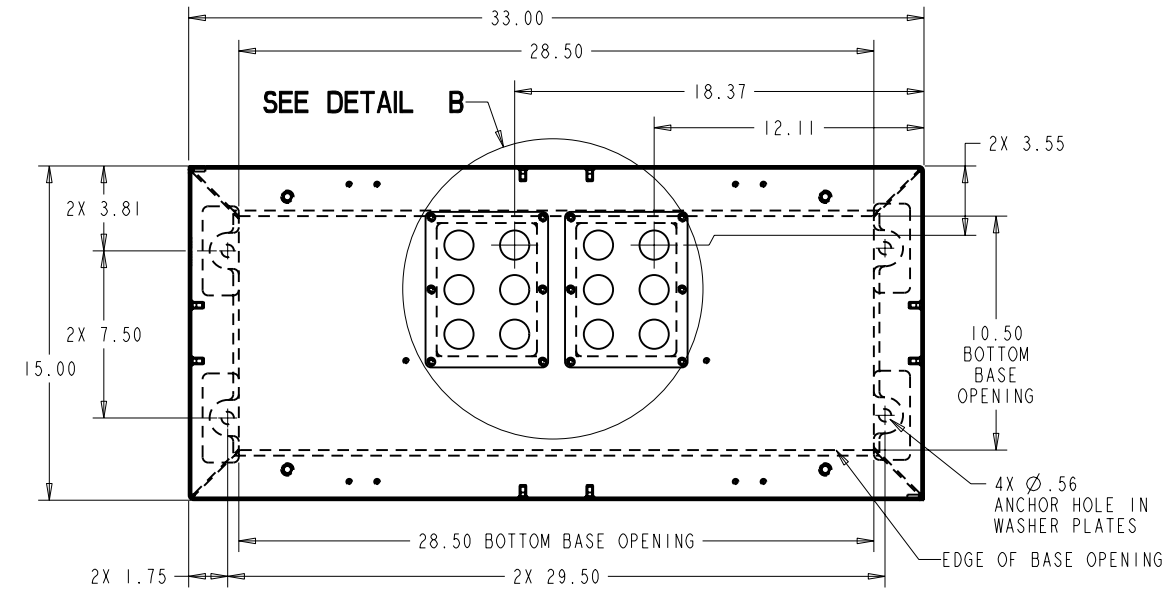


FRONT VIEW

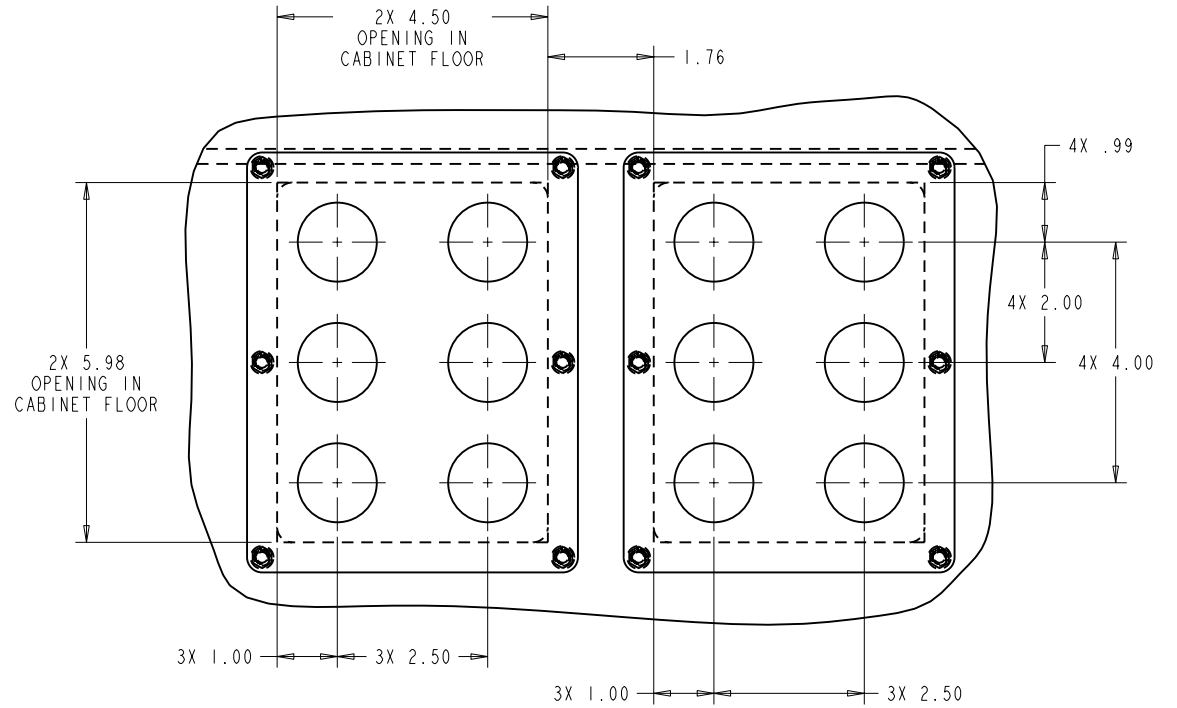


4" BASE SHOWN.
PATTERN IS FOR
12" BASE AND 4" BASE

SCALE 0.400



SECTION A-A



DETAIL B
SCALE 0.675

APPROVED
By Frank Lowry at 1:39 pm, Jul 01, 2008

UNLESS OTHERWISE SPECIFIED
ASME Y14.5M - 1994
COPYRIGHT CLEARFIELD INC.
THIS DOCUMENT IS THE
PROPERTY OF CLEARFIELD INC.
ITS USE IS AUTHORIZED ONLY FOR
RESPONDING TO A REQUEST FOR
QUOTATION ON THE PERFORMANCE
OF WORK FOR CLEARFIELD INC.
ALL DIMENSIONS SHOULD BE DIRECTED TO
CLEARFIELD INC. ENGINEERING DEPT.

MATERIAL: PER COMP.
FINISH: PER COMP.
DESIGNED BY: RTV 13-FEB-08
DRAWN BY: RTV 24-MAR-08
APPROVED BY:

CLEARFIELD
5480 NATHAN LN, SUITE 120
MINNEAPOLIS, MN 55442
(800) 422-2537 (763) 476-6866
www.clearfieldconnection.com
PART NUMBER: XXXX
FIELDSMART FSC 576 BASE INSTALL
SCALE: 0.250 SHT 1 OF 1
REV: B